

ROTEL

**Owner's manual
Manuel d'utilisation
Bedienungsanleitung
Manuale di istruzioni
Manual de instrucciones
Gebruiksaanwijzing
Bruksanvisning**

RT-02

**AM/FM Stereo Tuner
Tuner Stéréophonique AM/FM
AM/FM-Stereo-Tuner
Sintonizzatore Stereo AM/FM
Sintonizador Estereofónico de AM/FM
Middengolf/FM Stereo Afstemeenheid
AM/FM Stereo Radio**

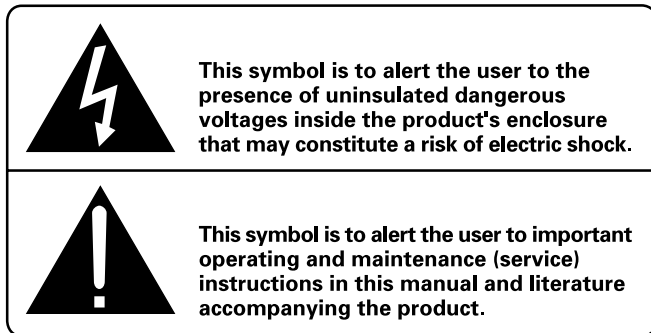




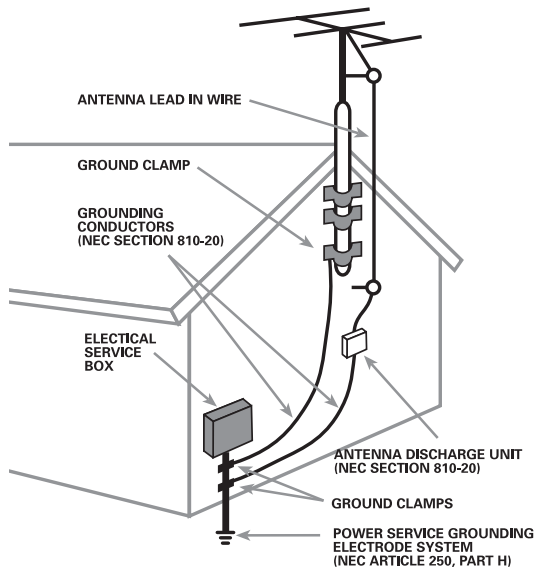
APPLICABLE FOR USA, CANADA OR WHERE APPROVED FOR THE USAGE

CAUTION: TO PREVENT ELECTRIC SHOCK, MATCH WIDE BLADE OF PLUG TO WIDE SLOT. INSERT FULLY.

ATTENTION: POUR EVITER LES CHOCS ELECTRIQUES, INTRODUIRE LA LAME LA PLUS LARGE DE LA FICHE DANS LA BORNE CORRESPONDANTE DE LA PRISE ET POUSSER JUSQU'AU FOND.



ANTENNA GROUNDING ACCORDING TO NATIONAL ELECTRICAL CODE INSTRUCTIONS ARTICLE 810: "RADIO AND TELEVISION EQUIPMENT"



Important Safety Instructions

WARNING: There are no user serviceable parts inside. Refer all servicing to qualified service personnel.

WARNING: To reduce the risk of fire or electric shock, do not expose the unit to moisture or water. Do not allow foreign objects to get into the enclosure. If the unit is exposed to moisture, or a foreign object gets into the enclosure, immediately disconnect the power cord from the wall. Take the unit to a qualified service person for inspection and necessary repairs.

Read all the instructions before connecting or operating the component. Keep this manual so you can refer to these safety instructions.

Heed all warnings and safety information in these instructions and on the product itself. Follow all operating instructions.

Clean the enclosure only with a dry cloth or a vacuum cleaner.

You must allow 10 cm or 4 inches of unobstructed clearance around the unit. Do not place the unit on a bed, sofa, rug, or similar surface that could block the ventilation slots. If the component is placed in a bookcase or cabinet, there must be ventilation of the cabinet to allow proper cooling.

Keep the component away from radiators, heat registers, stoves, or any other appliance that produces heat.

The unit must be connected to a power supply only of the type and voltage specified on the rear panel of the unit.

Connect the component to the power outlet only with the supplied power supply cable or an exact equivalent. Do not modify the supplied cable in any way. Do not attempt to defeat grounding and/or polarization provisions. Do not use extension cords.

Do not route the power cord where it will be crushed, pinched, bent at severe angles, exposed to heat, or damaged in any way. The power cord should be unplugged from the wall outlet if the unit is to be left unused for a long period of time.

Immediately stop using the component and have it inspected and/or serviced by a qualified service agency if:

- The power supply cord or plug has been damaged.
- Objects have fallen or liquid has been spilled into the unit.
- The unit has been exposed to rain.
- The unit shows signs of improper operation
- The unit has been dropped or damaged in any way

Place the unit on a fixed, level surface strong enough to support its weight. Do not place it on a moveable cart that could tip over.

NOTE TO CATV SYSTEM INSTALLER: Call the CATV system or antenna installer's attention to Article 820-40 of the NEC. This provides guidelines for proper grounding and, in particular, specifies that the cable ground shall be connected to the grounding system of the building, as close to the point of cable entry as practical. See installation diagram.

NOTE: This equipment has been tested and found to comply with the limits for a Class B digital device, pursuant to Part 15 of the FCC Rules. These limits are designed to provide reasonable protection against interference in a residential installation. This equipment generates and can radiate radio frequency energy and, if not installed and used in accordance with the instructions, may cause interference to radio or TV communications. There is no guarantee that interference will not occur in a particular installation. If this equipment does cause interference to radio or television reception, which can be determined by turning the equipment off and on, try to correct the interference by one or more of the following measures:

- Reorient or relocate the receiving antenna.
- Increase the separation between the unit and the television tuner.
- Connect the unit to an AC power outlet on a different electrical circuit.
- Consult your authorized Rotel retailer for assistance.

Figure 1: Controls and Connections
Commandes et Branchements
Bedienelemente und Anschlüsse
Controlli e collegamenti
Controles y Conexiones
De bedieningsorganen en aansluitingen
Funktioner och anslutningar

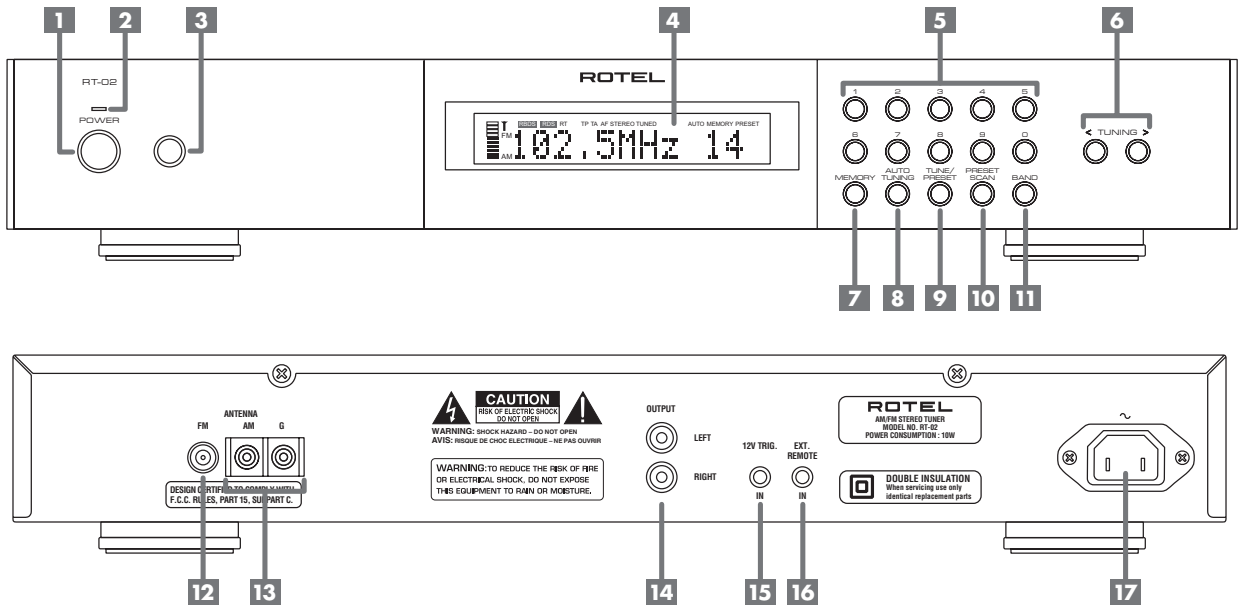


Figure 2: RR-T92 Remote Control
Télécommande RR-T92
Fernbedienung RR-T92
Controllo a distanza RR-T92
Mando a Distancia RR-T92
De RR-T92 Afstandsbediening
RR-T92 Fjärrkontroll

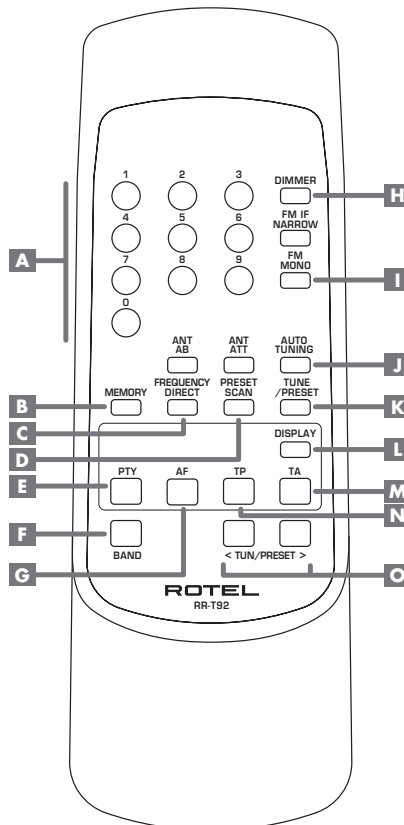
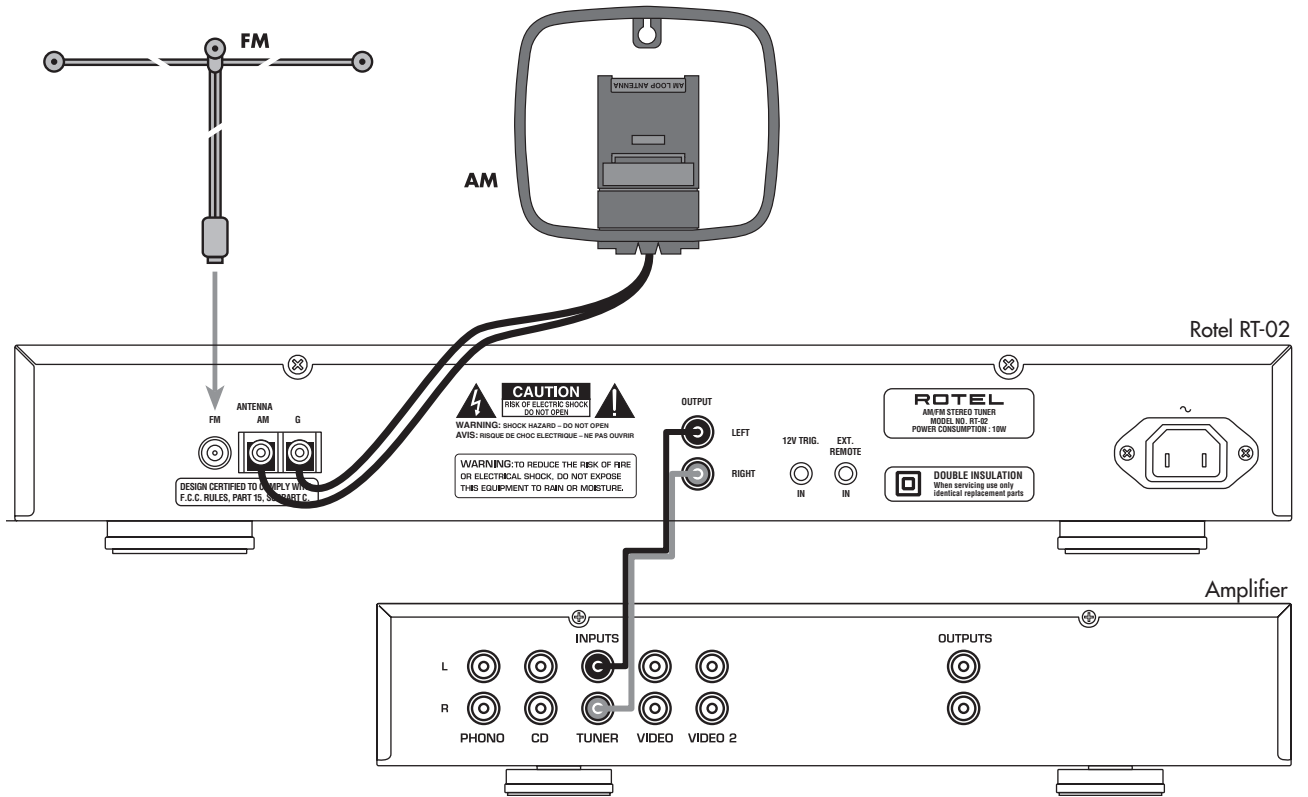


Figure 3: Hook-up Illustration
 Schéma de branchement type
 Anschlußdiagramm
 Schema di collegamento
 Ejemplo de Conexionado
 Het aansluitingsschema
 Anslutningsbeskrivning



Contents

Boxed numbers refer to RT-02 illustration.
Boxed letters refer to RR-T92 illustration.

Figure 1: Controls and Connections	3
Figure 2: RR-T92 Remote Control	3
Figure 3: Hook-up Illustration	4
About Rotel	5
Getting Started	5
Key Features	5
Unpacking	5
Placement	5
Rear Panel Connections	6
RCA Outputs 14	6
AM Loop Antenna 13	6
FM Antenna 12	6
AC Input 17	6
12V TRIGGER Connection 15	6
EXT REMOTE IN Jack 16	6
Basic Operating Controls	6
Power Button 1 and Power LED 2	6
Remote Sensor 3	6
Front Panel Display 4	7
DIMMER Button H	7
MEMORY Button 7 B	7
Setting Country Mode	7
Basic Tuning Controls	7
BAND Button 11 F	7
TUNING Controls 6 O	7
NUMERIC Buttons:	
Station Presets 5 A	8
FREQUENCY DIRECT Button:	
Direct Access Tuning C	8
Auto Tuning Button 8 J	8
TUNE/PRESET Button 9 K	8
PRESET SCAN Button 10 D	8
FM MONO Button I	8
RDS and RBDS Broadcast Reception	9
DISPLAY Button L	9
PTY Button E	9
TP Button N	9
TA Button M	10
AF Button G	10
Specifications	10

About Rotel

A family whose passionate interest in music led them to manufacture high fidelity components of uncompromising quality founded Rotel over 40 years ago. Through the years that passion has remained undiminished and the family goal of providing exceptional value for audiophiles and music lovers regardless of their budget, is shared by all Rotel employees.

The engineers work as a close team, listening to, and fine tuning each new product until it reaches their exacting musical standards. They are free to choose components from around the world in order to make that product the best they can. You are likely to find capacitors from the United Kingdom and Germany, semi conductors from Japan or the United States, while toroidal power transformers are manufactured in Rotel's own factory.

Rotel's reputation for excellence has been earned through hundreds of good reviews and awards from the most respected reviewers in the industry, who listen to music every day. Their comments keep the company true to its goal – the pursuit of equipment that is musical, reliable and affordable.

All of us at Rotel, thank you for buying this product and hope it will bring you many hours of enjoyment.

Getting Started

Thank you for purchasing the RT-02 AM/FM Stereo Tuner. Rotel's Balanced Design Concept combines advanced circuit board layout, comprehensive parts evaluation, and extensive listening tests for superior sound and long term reliability. The Rotel RT-02 will provide years of listening enjoyment.

Key Features

- AM and FM tuning capabilities
- User-friendly Fluorescent Display
- 30 Station Presets for memorizing your favorite stations
- Manual frequency and preset tuning, auto-search tuning, preset scanning, and frequency direct tuning.
- RDS (Radio Data System) capability for Europe and RBDS (Radio Broadcast Data Service) capability for the USA.
- Stereo/mono switching
- 12 volt trigger connections for remote turn on/off by Rotel preamplifiers and surround processors.
- Full-function wireless remote control

Unpacking

Remove the unit from its packing. Look for the handheld remote control and other accessories. Install the supplied batteries in the remote control. Save the packing and box as it will protect the RT-02 if you move or need to return it for maintenance.

Placement

Place the RT-02 on a solid, dry, level surface away from direct sunlight, excessive heat, high humidity, or strong vibrations.

The RT-02 can generate some heat during normal operation. If installed in a cabinet, make sure that there is adequate ventilation. Make sure there is enough room behind the RT-02 for easy hookup. Place the unit close to the other components in your audio/video system and, if possible, place it on its own shelf. This will make initial cable routing, hookup, and any subsequent system changes easier. It also minimizes potential interference or heat buildup from other components.

Don't stack heavy objects on top of the RT-02. Do not expose the unit to moisture; this could damage the circuitry and cause a safety hazard.

Rear Panel Connections

The RT-02 provides rear panel connections for audio line level output, an FM antenna, an AM antenna, a 12V Trigger, a remote IR sensor, and AC power input.

NOTE: Do not plug any system component into an AC source until system hookup is complete and you are confident that all component-to-component connections have been properly made.

RCA Outputs **14**

Line level RCA audio outputs send a fixed-level stereo signal from the RT-02 to your preamplifier, system controller, or integrated amplifier. Use a standard RCA audio cable to connect the LEFT OUTPUT jack to the left channel tuner input on your system controller and the RIGHT OUTPUT jack to the right channel tuner input on your system controller.

AM Loop Antenna **13**

The RT-02 includes a loop antenna to receive AM radio signals. Remove this antenna from the box and locate it near the RT-02.

Connect the 300 ohm twin-conductor wire from the loop antenna to the pair of screw terminals labeled AM LOOP, attaching one wire to each terminal. It does not matter which wire attaches to which terminal, but make sure that the connections are solid and that the two wires do not touch.

You may need to rotate or otherwise reorient the antenna to find the best position.

NOTE: To use an outdoor antenna, connect its 300 ohm twin-conductor wire to the G and AM terminals in place of the loop antenna, only after a professional contractor has installed the antenna system in accordance with local electrical codes.

FM Antenna **12**

The RT-02 is supplied with a T-shaped indoor FM antenna. Remove this antenna from the box and connect its attached coax F-type plug to the FM antenna connector on the RT-02. For best reception, unfold the T-shaped antenna. Eyelets at both ends of the T allow tacking the antenna to a wall, if desired. Experiment with positioning for best reception.

NOTE: To use an outdoor antenna, connect its 75 ohm coax lead wire to the FM connector in place of the indoor wire antenna, only after a professional contractor has installed the antenna system in accordance with local electrical codes. In the USA, you will need to use the supplied F-type converter to connect the 75 ohm coax cable to the antenna input.

AC Input **17**

Your RT-02 is configured at the factory for the proper AC line voltage in the country where you purchased it (115 volts AC at 60Hz in the USA and 230 volts AC at 50Hz in Europe). The AC line configuration is noted on a decal on the back of your unit. Make sure that your unit is configured properly for your AC line voltage.

Plug the supplied cord into the AC INPUT receptacle on the back of the unit. Once all other rear panel connections are completed, plug the power cord into an AC wall outlet or switched AC outlet on another system component.

12V TRIGGER Connection **15**

The RT-02 can be activated by a 12 volt trigger signal from a Rotel preamplifier.

The trigger input accepts any control signal (AC or DC) ranging from 3 volts to 30 volts. When a cable is connected to the input and a trigger signal is present, the tuner is activated. When the trigger signal is interrupted, the tuner goes into standby mode. The front panel indicator light remains lit, but the display goes dark and the unit will not operate.

NOTE: When using the 12V Trigger feature, leave the POWER button in the ON position.

EXT REMOTE IN Jack **16**

This 3.5mm mini-jack receives command codes from industry-standard infrared receivers (Xantech, etc.) via hard-wired connections. This feature could prove useful when the unit is installed in a cabinet and the front-panel sensor is blocked. Consult your authorized Rotel dealer for information on these external repeaters and the proper wiring of a jack to fit the mini-jack receptacle.

Basic Operating Controls

The following explanations will help you get familiar with the features and controls. When a function is available on both the front panel and the remote, a number (see front panel illustration) and a letter (see remote control illustration) are shown in the instructions. For example, to change from the AM to FM band, you can either press the front panel button or use the button on the remote. When only one identifier appears, that control is available only on the front panel or the remote, but not both.

NOTE: Controls used for tuning the AM/FM receiver are described in the next sections of this manual.

Power Button **1** and Power LED **2**

The POWER button is located on the front panel of the RT-02 and is not duplicated on the remote control. Push the button IN to turn the unit on. The LED above the switch and the front panel display will light up. Push the button again (returning it to the OUT position), to turn the unit off.

NOTE: If you are using a switched outlet on another component to power the RT-02 or if you are using the 12 volt trigger feature, leave the POWER switch in the ON position.

Remote Sensor **3**

This front panel sensor receives infrared signals from the remote control. Make sure you do not accidentally block this sensor with cables or accessories.

Front Panel Display

The large fluorescent display in the center portion of the RT-02 provides status information used in operating the AM/FM receiver (such as station frequency display, band, preset memory, RDS information, etc.).

DIMMER Button

Available only on the remote control, this button selects three display brightness settings: NORMAL, DIM, or OFF. When the display is OFF, pressing any button or control will return it to the NORMAL mode. Press the button to cycle through the three settings.

NOTE: When the tuner is turned off and back on, the display reverts to its normal setting.

MEMORY Button

The MEMORY button is used to confirm and memorize various settings in the setup and operation of the RT-02, including tuner station presets. Its use is described in detail in the relevant sections below.

Setting Country Mode

The RT-02 has two default modes, one for the USA and one for Europe. These configure the unit for differences in local markets, including FM tuning intervals, AM tuning intervals, and differences in the European RDS and United States RBDS standards. Your unit has been factory configured to the correct default mode for the country in which it was purchased.

To switch to the USA default mode, press and hold the POWER, MEMORY, and 9 buttons for 5 seconds. The word LOADING will appear in the DISPLAY and the unit will power up in the USA configuration.

To switch to the European default mode, press and hold the POWER, MEMORY, and 0 buttons for more than 5 seconds. The word LOADING will appear in the DISPLAY and the unit will power up in the European configuration.

Basic Tuning Controls

The RT-02 features a digital synthesized AM/FM tuner with RDS or RBDS capability and 30 station presets. The unit offers a wide range of tuning options. Here is an overview of the tuning options (more detailed information is provided in subsequent sections of this manual):

- **Manual frequency tuning** lets you tune up or down to the next station frequency. Set the TUNE/PRESET mode to TUNE. Turn off AUTO TUNING. Use the TUNING controls to tune up or down.
- **Direct frequency tuning** lets you enter the desired station frequency digits. Press the FREQUENCY DIRECT button on the remote and enter the digits using the NUMERIC buttons.
- **Automatic frequency search tuning** lets you search up or down to find the next receivable broadcast signal. Set the TUNE/PRESET mode to TUNE. Turn on AUTO TUNING. Use the TUNING controls to search up or down.
- **Memory station preset tuning** lets you directly enter the number of a memorized station preset number. Enter the number of the memorized preset using the NUMERIC buttons.
- **Preset scan tuning** lets you scan up/down through the memorized station presets. Press the PRESET SCAN button to begin scanning.
- **RDS (Europe) or RBDS (USA) tuning** provides a range of special tuning and search features based on data codes encoded with the broadcast signal. See the RDS section of this manual for detailed information.

NOTE: Three buttons on the remote (ANT A/B, FM IF NARROW, and ANN ATT) are not used with the RT-02 tuner.

BAND Button

The BAND button selects whether the tuner will receive AM or FM broadcast signals. Press the button to toggle back and forth between AM and FM. A corresponding indicator will light at the left portion of the front panel DISPLAY to confirm your choice. The currently tuned station frequency will be shown.

TUNING Controls

A pair of buttons, labeled < TUNING > on the front panel and < TUN/PRESET > on the remote, serve as the main tuning controls for the RT-02. You can use either the front panel or remote buttons; their function is identical.

These controls provides different tuning functions, depending on the mode of operation:

In the FREQUENCY TUNING mode with AUTO TUNING off, press a TUNING button to manually jump to the next frequency, regardless of whether or not a station is broad-casting on that frequency. [See the TUNE/PRE-SET button and AUTO TUNING button sections for details on changing the tuning modes.]

In the FREQUENCY TUNING mode with AUTO TUNING on, press a TUNING button to start auto tuning. The tuner begins automatically scanning up or down through the frequencies until the next receivable signal is detected. If this is not the desired station, repeat the automatic tuning procedure to find the next station. Weak stations will be skipped during auto tuning. If no receivable signal is detected, the tuner will revert to the last previously tuned station. [See the TUNE/PRESET button and AUTO TUNING button sections for details on changing the tuning modes.]

In the PRESET TUNING mode, press a TUNING button to advance to the next memorized station preset. [See the TUNE/PRESET button section for details on changing the tuning modes.]

In the RDS PTY search mode, press a TUNING button to select the desired program type from the scrolling list in the display. See the section on RDS tuning for more details. [See the RDS PTY button section for details.]

NOTE: Several indicators in the front panel display assist tuning. A large display shows the tuned frequency and increases or decreases during tuning. A signal strength indicator shows the strength of the incoming signal. A TUNED indicator lights when a sufficiently strong signal is received. A ST indicator lights when a stereo FM signal is received. In addition, indicators show the currently selected tuning mode.

NUMERIC Buttons: Station Presets **5 A**

The RT-02 can store up to 30 station presets for recall at any time using the NUMERIC keypad. These station presets can be used for any combination of AM stations and FM stations.

The RT-02 is delivered from the factory with a set of generic station presets that may or may not match any available stations in your area.

To memorize a new station preset:

1. Tune to the desired station, AM or FM.
2. Press the MEMORY button on the front panel. A MEMORY indicator will flash in the front panel display.
3. While the MEMORY indicator is flashing, press the number of the preset where you wish to store the station frequency. For example, to memorize the station as preset 3, press the 3 button. To memorize preset 15, press the 1 button followed by the 5 button.
4. A previously stored frequency is erased from memory when a new frequency is memorized for the same preset number.

To tune to a previously memorized station preset, press the preset number using the NUMERIC buttons. For example, to tune to preset 3, press the 3 button. To tune to preset 30, press the 3 button and then press the 0 button within 5 seconds.

NOTE: The NUMERIC buttons can also be used for FREQUENCY DIRECT tuning.

FREQUENCY DIRECT Button: Direct Access Tuning **C** Remote Only

If you know the exact frequency of the desired station, you may tune it directly using the FREQUENCY DIRECT button (remote only) and the NUMERIC buttons.

1. Press the FREQUENCY DIRECT button to change the NUMERIC buttons from station preset to direct access mode. The station frequency in the front panel display will change to a series of bars, representing the digits of a station frequency, with the first bar blinking.

2. Enter the first digit of the station frequency using the NUMERIC buttons. The digit will appear in the frequency display and the next bar will flash. Enter the remaining digits of the frequency. When all of the digits have been entered, the tuner will automatically tune to the displayed station frequency.

NOTE: On the USA version only, pressing 1 in the FM mode will enter 10 as the digit in the frequency display. On the European version, it is necessary to press 1 and then 0 to enter 10. For US FM stations, press only one digit following the decimal point as shown in the first example following. For European FM stations, press two digits after the decimal point as shown in the second example.

EXAMPLES:

(USA FM) 87.50MHz	Press 8>7>5
(Europe FM) 87.50MHz	Press 8>7>5>0
(USA AM) 1610kHz	Press 1>6>1
(Europe AM) 1611kHz	Press 1>6>1>1

If no frequency is entered within 5 seconds, the tuner will cancel FREQUENCY DIRECT tuning mode and revert to the last previously tuned station.

Auto Tuning Button **8 J**

The AUTO TUNING button toggles between the frequency search tuning feature and manual frequency tuning. When using the TUNING controls on the front panel or remote in AUTO TUNING mode, the tuner will begin automatically scanning up or down through the frequencies until the next receivable broadcast signal is detected. If this is not the desired station, use the TUNING controls again to find the next station. Weak stations will be skipped during auto tuning. If no receivable signal is detected, the tuner will revert to the previously tuned station.

To toggle between FREQUENCY TUNING mode and AUTO TUNING mode, press the AUTO TUNING button. An AUTO indicator will appear in the display.

NOTE: AUTO TUNING mode is disengaged when the TUNE/PRESET button is set to PRESET tuning mode. See the following section.

TUNE/PRESET Button **9 K**

The TUNE/PRESET button toggles between FREQUENCY TUNING mode (the TUNING controls advance to the next station frequency) and PRESET TUNING mode (the TUNING controls advance to the next memorized station preset). To toggle between the two modes, press the TUNE/PRESET button. A PRESET indicator in the front panel DISPLAY will light when the PRESET mode is active.

NOTE: AUTO TUNING mode is disengaged when the TUNE/PRESET button is set to PRESET tuning mode.

PRESET SCAN Button **10 D**

This button activates a preset scanning feature. When you press the button, the tuner will automatically scan through all memorized station presets, playing each for five seconds before moving to the next. To stop the station scanning on the desired station preset, press the button again.

NOTE: If a PRESET station is currently tuned when the PRESET SCAN button is pressed, scanning will start with the next higher preset number and continue through all preset stations, stopping on the initial preset. If a PRESET station is not currently tuned when the button is pressed, scanning will start from PRESET 1 and continue to PRESET 30.

FM MONO Button **1** Remote Only

The FM MONO button changes the FM mode from stereo reception to mono reception. In stereo mode, a stereo signal will be heard if the station is broadcasting a stereo signal and there is sufficient signal strength. A stereo indicator will light in the front panel display. In mono mode, a mono signal will be heard even if the station is broadcasting a stereo signal.

NOTE: Switching to mono mode can be a useful way to improve the reception of weak or distant FM signals. Less signal strength is required for clean mono reception than for stereo reception.

RDS and RBDS Broadcast Reception

The Rotel RT-02 is equipped with RDS (Radio Data Systems) reception capabilities for Europe and RBDS (Radio Broadcast Data Service) capabilities for the United States. These broadcast systems provide additional functionality to FM radio reception by transmitting encoded information along with the radio signal. This signal is decoded by an RDS or RBDS receiver and can provide a range of informational features including:

1. a display of the station's identifying name (e.g. BBC1)
2. a display of the station's program content (e.g. ROCK or NEWS)
3. traffic information broadcasts
4. a scrolling text display for announcements or information

In addition, RDS provides several advanced search features including:

1. the ability to search for a station with the desired program content (PTY)
2. the ability to search for traffic information (TP)
3. the ability to automatically search stations broadcasting special traffic announcements (TA).

RDS broadcasting has been widely available in many European markets for years. There are a large number of RDS stations and most users will be familiar with the features and operation. In the USA, implementation of the RBDS system is more recent. Fewer stations are currently broadcasting RBDS signals and the features may be less familiar to many users. Consult your authorized Rotel dealer for more information on RDS or RBDS broadcasting in your market.

NOTE: The RDS and RBDS features are entirely dependent on the broadcaster sending properly encoded signals. Thus, they will only be available in markets where RDS or RBDS is currently implemented and where stations are broadcasting these data signals. If there are no RDS or RBDS stations, the RT-02 will function as a standard radio receiver.

NOTE: RDS and RBDS services are only available on FM broadcasts. The features and buttons described below are only operational in FM mode.

DISPLAY Button **L**

Remote Only

There are five display options when the currently tuned station is broadcasting RDS information and the RDS indicator in the front panel display is lit. Press the DISPLAY button to step sequentially through the five available display options:

1. Standard FREQUENCY display.
2. PROGRAM SERVICE name. This is typically the station's call letters, such as BBC1). If the current station is not broadcasting an RDS signal, the display will show a blinking PS indication.
3. PROGRAM TYPE. This is a description of the station's content from a standardized list of program types in each market (for example: NEWS, CURRENT AFFAIRS, INFO, SPORT, EDUCATION, DRAMA, CULTURE, SCIENCE, VARIED, POP, ROCK, EASY LISTENING, LIGHT CLASSICAL, SERIOUS CLASSICAL, OTHER MUSIC, WEATHER, FINANCE, CHILDREN, SOCIAL AFFAIRS, RELIGION, PHONE IN, TRAVEL, LEISURE, JAZZ, COUNTRY, NATIONAL MUSIC, OLDIES, FOLK, and DOCUMENTARY). If the current station is not broadcasting an RDS signal, the display will show a blinking PT indication.
4. CLOCK TIME. A time and date display broadcast by the station. If the current station is not broadcasting an RDS signal, the display will show a blinking CT indication.
5. RADIO TEXT. Additional scrolling text messages broadcast by the station. If the current station is not broadcasting an RDS signal, the display will show a blinking RT indication.

PTY Button **E**

Remote Only

The PTY search function permits you to scan available signals for RDS stations broadcasting a particular type of program content.

1. Press the PTY button. The current RDS program content type will appear in the display.
2. If desired, change to a different PROGRAM TYPE using the TUNING controls to scroll through the list.
3. Press the PTY button a second time within 5 seconds. The tuner will attempt to find an RDS station broadcasting the selected type of program. If the button is not pressed within 5 seconds after selecting a program type, the PTY function will be cancelled.
4. If no station is located for the desired content type, the tuner will return to the last previously tuned station.
5. Cancel the PTY function by pressing any button (except DIMMER or FM MONO).

TP Button **N**

Remote Only

Searches for an RDS station broadcasting traffic information programming:

1. Press the TP button. The tuner will attempt to find an RDS station broadcasting the traffic programming.
2. If no station is located, the tuner will return to the last previously tuned station.
3. Cancel the TP function by pressing any button (except DIMMER or FM MONO).

TA Button **M**

Remote Only

Searches for an RDS station broadcasting special traffic announcements:

1. Press the TA button. The tuner will attempt to find an RDS station broadcasting traffic announcements.
2. If no station is located, the tuner will return to the last previously tuned station.
3. Cancel the TA function by pressing any button (except DIMMER or FM MONO).

AF Button **Remote Only**

In some cases, an RDS station is part of a network of stations broadcasting the same programming (for example, BBC1 programming in the UK may be available at several different frequencies). Stations broadcasting this programming may transmit an RDS data signal providing the tuner with a list of alternate frequencies where this programming is available. If this data list is transmitted, an AF indicator will appear in the DISPLAY.

The AF button is used to scan the alternate frequencies to find a stronger signal. The button is only functional when the AF indicator is lit.

1. Press the AF button. The tuner will scan each of the alternate frequencies for the same programming in the stored list and tune to the strongest signal.
2. If no station is located, the tuner will return to the last previously tuned station.
3. If the signal strength of the new station is weaker, the tuner will revert to the previously tuned station.
4. Cancel the AF function by pressing any button (except DIMMER or FM MONO).

Specifications

FM Tuner

Usable Sensitivity:	14.2 dBf
50dB Quieting Sensitivity:	20.2 dBf (mono) 45.3 dBf (stereo)
Signal to Noise Ratio (at 65 dBf):	73 dBf (mono) 70 dBf (stereo)
Harmonic Distortion (at 65 dBf):	0.2% (mono) 0.3% (stereo)
Frequency Response:	10 Hz-15 kHz, ± 3 dB
Capture Ratio:	2.0 dB
Alternate Channel Selectivity:	47 dB (± 400 kHz)
Spurious Response Ratio:	90 dB
Image Rejection Ratio:	80 dB
IF Rejection Ratio:	80 dB
AM Suppression Ratio:	55 dB
Stereo Separation (100Hz/1 kHz/10 kHz):	40 dB/45 dB/35 dB
Output level:	1V
Antenna Input:	75 ohms unbalanced

AM Tuner

Usable Sensitivity:	500 μ V/m
Selectivity:	25 dB
Harmonic Distortion:	0.5%
Image Rejection Ratio:	45 dB
Signal to Noise Ratio:	40 dB
Output level:	500 mV
Antenna Input:	Loop Antenna

General

Power Consumption:	10 watts
Power Requirements (AC):	115 volts, 60 Hz (USA version) 230 volts, 50 Hz (European version)
Weight:	3.9 Kg/8.6 lb.
Dimensions (W x H x D):	435 x 72 x 319 mm 17 ¹ / ₈ " x 2 ⁷ / ₈ " x 10 ⁹ / ₁₆ "
Panel Height	60 mm / 2 ³ / ₈ "

All specifications are accurate at the time of printing.
Rotel reserves the right to make improvements without notice.

Rotel and the Rotel HiFi logo are registered trademarks of The Rotel Co, Ltd., Tokyo, Japan.

Explication des symboles graphiques

L'éclair dans un triangle équilatéral indique la présence interne de tensions électriques élevées susceptibles de présenter des risques graves d'électrocution.

ATTENTION : POUR RÉDUIRE LE RISQUE D'ÉLECTROCUTION, NE PAS RETIRER LE CAPOT. IL N'Y A À L'INTÉRIEUR AUCUNE PIÈCE SUSCEPTIBLE D'ÊTRE MODIFIÉE PAR L'UTILISATEUR. EN CAS DE PROBLÈME, ADRESSEZ-VOUS À UN RÉPARATEUR AGRÉÉ.

Le point d'exclamation dans un triangle équilatéral indique à l'utilisateur la présence de conseils et d'informations importantes dans le manuel d'utilisation accompagnant l'appareil. Leur lecture est impérative.

ATTENTION: Il n'y a à l'intérieur aucune pièce susceptible d'être modifiée par l'utilisateur. Adressez-vous impérativement à une personne qualifiée.

ATTENTION: Prenez garde à ce qu'aucun objet ou liquide ne tombe à l'intérieur de l'appareil par ses orifices de ventilation ; Si l'appareil est exposé à l'humidité ou si un objet tombe à l'intérieur, couper immédiatement l'alimentation secteur de tous les appareils. Débrancher l'appareil des autres maillons, et adressez-vous immédiatement et uniquement à une personne qualifiée et agréée.

Lisez les instructions: Tous les conseils de sécurité et d'installation doivent être lus avant de faire fonctionner l'appareil. Conservez soigneusement ce livret - Vous devez pouvoir le consulter à nouveau pour de futures références.

Respectez tous les conseils: Tous les conseils de sécurité doivent être soigneusement respectés. Suivez les instructions - Respectez les procédures d'installation et de fonctionnement indiquées dans ce manuel.

Entretien: L'appareil doit être nettoyé uniquement selon les recommandations de son constructeur.

Ventilation: L'appareil doit être placé de telle manière que sa propre ventilation puisse fonctionner. Par exemple, il ne doit pas être posé sur un fauteuil, un canapé, une couverture ou toute autre surface susceptible de boucher ses ouïes d'aération ; ou placé dans un meuble empêchant la bonne circulation d'air autour des orifices d'aération.

Chaleur: Cet appareil doit être placé loin de toute source de chaleur, tels que radiateurs, chaudières, bouches de chaleur ou d'autres appareils (y compris amplificateurs de puissance) produisant de la chaleur.

Cet appareil doit être branché sur une prise d'alimentation secteur, d'une tension et d'un type conformes à ceux qui sont indiqués sur la face arrière de l'appareil.

Brancher l'appareil uniquement grâce au cordon secteur fourni, ou à un modèle équivalent. Ne pas tenter de modifier ou changer la prise. Notamment, ne pas tenter de supprimer la prise de terre si celle-ci est présente. Ne pas utiliser de cordon rallonge.

Prendre garde à ce que ce cordon d'alimentation ne soit pas pincé, écrasé ou détérioré sur tout son trajet, à ce qu'il ne soit pas mis en contact avec une source de chaleur. Vérifier soigneusement la bonne qualité des contacts, à l'arrière de l'appareil comme dans la prise murale.

Si l'appareil ne doit pas être utilisé pendant une longue période, la prise secteur sera débranchée.

Service après vente: L'appareil doit être immédiatement éteint, débranché puis éventuellement retourné au service après-vente agréé dans les cas suivants:

- Le cordon secteur ou la prise ont été endommagés.
- Un objet est tombé, ou du liquide a coulé à l'intérieur de l'appareil.
- L'appareil a été exposé à la pluie.
- L'appareil ne fonctionne pas normalement, ou ses performances sont anormalement limitées.
- L'appareil est tombé, ou le coffret est endommagé.

Placer l'appareil sur une surface plane, solide et rigide. Ne jamais placer l'appareil sur une surface ou un support mobile pouvant basculer.

Sommaire

Les numéros encadrés renvoient à l'illustration du RT-02. Les chiffres encadrés renvoient à l'illustration de la télécommande RR-T92.

Figure 1: Commandes et Branchements	3
Figure 2: Télécommande RR-T92	3
Figure 3: Schéma de branchement type	4
Au sujet de Rotel	12
Démarrage	12
Caractéristiques	12
Déballage	12
Installation	12
Branchements en face arrière	12
Prises RCA 14	12
Antenne cadre AM 13	12
Antenne FM 12	13
Prise d'alimentation secteur 17	13
Prise de commutation 12 V TRIGGER 15	13
Prise d'entrée télécommande EXT REMOTE IN 16	13
Commandes de base	13
Bouton de mise sous tension POWER 1 2	13
Capteur de télécommande 3	13
Afficheur de la face avant 4	13
Touche d'atténuation afficheur DIMMER H	13
Touche de mémorisation MEMORY 7 B	13
Réglages mode régional	13
Commandes de fonctionnement du tuner ..	14
Touche de gamme BAND 11 F	14
Commande d'accord TUNING 6 O	14
Clavier numérique:	
Présélection des stations 5 A	14
Touche de recherche par fréquence FREQUENCY DIRECT: Accord par accès direct C	15
Touche d'accord automatique AUTO TUNING 8 J	15
Touche d'accord/présélection TUNE/PRESET 9 K	15
Touche de balayage des stations PRESET SCAN 10 D	15
Touche de réception mono FM MONO I	15
Réception de type RDS	16
Touche d'afficheur DISPLAY L	16
Touche PTY E	16
Touche TP N	16
Touche TA M	16
Touche AF G	17
Spécifications	17

Au sujet de Rotel

C'est une famille de passionnés de musique qui a fondé Rotel, il y a quarante ans. Pendant toutes ces années, leur passion ne s'est jamais éteinte et tous les membres de la famille se sont toujours battus pour fabriquer des appareils présentant un exceptionnel rapport musicalité-prix, suivis en cela par tous les employés.

Les ingénieurs travaillent toujours en équipe réduite, écoutant et peaufinant soigneusement chaque appareil pour qu'il corresponde parfaitement à leurs standards musicaux. Ils sont libres de choisir n'importe quels composants dans le monde entier, uniquement en fonction de leur qualité. C'est ainsi que vous trouvez dans les appareils Rotel des condensateurs britanniques ou allemands, des transistors japonais ou américains, tandis que tous les transformateurs toriques sont directement fabriqués dans une usine Rotel.

L'excellente réputation musicale des appareils Rotel a été saluée par la plupart des magazines spécialisés ; ils ont reçu d'innombrables récompenses, et sont choisis par de nombreux journalistes critiques du monde entier, parmi les plus célèbres, ceux qui écoutent de la musique quotidiennement. Leurs commentaires restent immuables : Rotel propose toujours des maillons à la fois musicaux, fiables et abordables.

Mais plus que tout, Rotel vous remercie pour l'achat de cet appareil, et souhaite qu'il vous apporte de nombreuses heures de plaisir musical.

Démarrage

Nous vous remercions pour l'achat de ce tuner stéréo AM/FM Rotel RT-02. La philosophie de Rotel baptisée «Balance design concept» associe un schéma original, un choix très soigné des composants, et de très nombreux tests d'écoute pour une qualité sonore parfaite et une fiabilité exceptionnelles. Le tuner RT-02 vous garantit des années et des années de plaisir musical.

Caractéristiques

- Réception des gammes AM et FM
- Afficheur fluorescent très complet
- 30 stations présélectionnées
- Recherche manuelle ou par présélections, recherche automatique, balayage des stations présélectionnées, et recherche pas entrée directe de la fréquence.
- Fonctions RDS (Radio data system) pour l'Europe
- Commutation stéréo/mono
- Prises de commutation 12 volts trigger pour la mise sous tension automatique d'autres maillons de la chaîne (préamplificateur, processeur Surround, etc.)
- Télécommande complète de toutes les fonctions.

Déballage

Sortez soigneusement l'appareil de son emballage. N'oubliez pas la télécommande et les autres accessoires. Installez les piles fournies dans la télécommande. Conserver l'emballage est la meilleure solution pour protéger le RT-02 lors de tout transport ultérieur.

Installation

Poser le RT-02 sur une surface rigide, plate, et sèche, loin de tout rayon direct du soleil, de la chaleur excessive, d'une humidité trop élevée, ou de fortes vibrations.

Le RT-02 peut générer de la chaleur durant son fonctionnement normal. S'il est installé dans un coffret ou un meuble, vérifiez qu'il dispose d'une ventilation correcte.

Vérifiez qu'il y a assez d'espace derrière le RT-02 pour ses branchements. Placez cet appareil le plus près possible des autres maillons du système, et, si possible, sur sa propre étagère. Cela facilitera les branchements, le trajet des câbles de liaison, et toute modification ultérieure dans l'installation. Cela minimisera aussi les éventuelles interférences d'un maillon sur l'autre.

Ne posez pas d'objet lourd sur le dessus du RT-02. N'exposez pas cet appareil à l'humidité, car cela pourrait endommager ses circuits internes.

Branchements en face arrière

Le RT-02 dispose en face à arrière des prises suivantes : sortie niveau Ligne, une antenne FM, une antenne AM, une prise de commutation 12 V TRIGGER, une prise pour récepteur de télécommande IR, et une prise d'alimentation secteur.

NOTE: ne reliez aucun maillon du système dans les prises secteur tant que tous les branchements ne sont pas terminés. Assurez-vous que tous les branchements de maillon à maillon ont bien été effectués.

Prises RCA 14

Une paire de prises type RCA envoie un signal stéréo de niveau fixe depuis le RT-02 vers votre préamplificateur, ou votre amplificateur intégré. Les sorties respectivement repérées LEFT (gauche) et RIGHT (droite) doivent être branchées dans les entrées correspondantes repérées TUNER sur le préamplificateur ou l'amplificateur intégré.

Antenne cadre AM 13

Le RT-02 est livré avec une antenne cadre permettant de recevoir les signaux AM (stations émises en modulation d'amplitude). Placez cette antenne près du RT-02.

Branchez le câble deux conducteurs 300 ohms dans les deux bornes à vis repérées AM LOOP (boucle AM), un câble à chaque borne. Le sens de branchement des deux conducteurs n'a pas d'importance ; vérifiez simplement que le serrage est correct et que les deux câbles ne se touchent pas.

Vous devez orienter l'antenne afin d'obtenir la réception la plus correcte possible.

NOTE: on peut brancher une antenne AM extérieure en utilisant les deux bornes repérées «AM» et «G», à la place de l'antenne cadre. Seul un installateur agréé peut installer une antenne AM extérieure, répondant aux normes électriques en vigueur.

Antenne FM **12**

Le RT-02 est livré avec une antenne FM intérieure en forme de "T". Branchez sa prise F sur la prise du tuner. Les deux oeillets aux extrémités de l'antenne sont prévus pour la fixer le long d'un mur. Effectuez divers essais d'orientation correcte avant de la fixer définitivement.

NOTE: pour utiliser une antenne extérieure, branchez-la sur la prise 75 ohms, via un câble adéquat. Seul un installateur agréé sera en mesure de vous fournir un équipement d'excellente qualité dans ce domaine: consultez votre revendeur Rotel à ce sujet.

Prise d'alimentation secteur **17**

Votre RT-02 est réglé en usine pour s'adapter aux caractéristiques de votre alimentation secteur, c'est-à-dire 240 volts 50 Hz, en Europe. Ce réglage figure sur une étiquette, en face arrière de l'appareil. Vérifiez qu'il est conforme à votre installation avant de brancher l'appareil sur le secteur.

Utilisez le câble secteur fourni. Branchez-le d'abord dans la prise à l'arrière du RT-02, puis dans la prise murale. N'effectuez ce branchement que lorsque toutes les connexions entre maillons ont bien été effectuées.

Prise de commutation 12 V TRIGGER **15**

Le RT-02 peut être mis sous tension grâce à un signal 12 volts envoyé par un préamplificateur Rotel.

La commutation peut se faire en pratique avec une tension comprise entre 3 et 30 volts, en courant continu ou alternatif. Lorsqu'un câble est branché sur cette entrée et qu'une tension apparaît à ses bornes, le tuner s'allume. Si cette tension disparaît, le tuner se met en mode de veille Standby. L'indicateur de la face avant reste allumé, mais l'afficheur du tuner s'éteint et l'appareil ne fonctionne pas.

NOTE: Si vous utilisez cette fonction 12 V TRIGGER, laissez la touche POWER enfoncée (position ON).

Prise d'entrée télécommande EXT REMOTE IN **16**

Cette prise jack 3,5 mm reçoit les codes de commande infrarouge normalisés (Xantech, etc.) via une liaison par câble. Cette caractéristique est utilisée si l'appareil, encastré dans un meuble, n'a pas son récepteur infrarouge visible de l'extérieur. Consultez votre revendeur agréé Rotel pour connaître les accessoires optionnels nécessaires à l'utilisation de cette prise.

Commandes de base

Les paragraphes suivants vont vous permettre de vous familiariser avec les fonctions et commandes principales de votre nouveau tuner. Les nombres cerclés renvoient aux illustrations, au début de ce manuel d'utilisation.

La plupart des fonctions sont accessibles, soit sur la face avant de l'appareil, soit sur la télécommande livrée avec. Lorsqu'apparaissent respectivement un chiffre et une lettre cerclés, ils renvoient respectivement à la face avant et à la télécommande. Par exemple, pour passer de la bande AM à la bande FM, vous pouvez soit presser la touche de la face avant, soit presser la touche de la télécommande. Si seul un numéro ou une lettre apparaît, c'est que la fonction correspondante n'est accessible que via la façade, ou au contraire la télécommande.

NOTE: Les commandes concernant la recherche des stations sont expliquées dans le paragraphe suivant.

Bouton de mise sous tension POWER **1 2**

La touche POWER ne se trouve que sur la face avant du tuner. Pressez la touche repérée IN pour mettre le tuner sous tension. Une seconde pression sur cette même touche coupe l'alimentation.

NOTE: Si vous utilisez la prise de renvoi d'une autre maillon pour alimenter le RT-02, ou si vous utilisez la commutation 12 V TRIGGER, laissez toujours la touche POWER sur ON.

Capteur de télécommande **3**

Ce capteur en face avant reçoit les informations en provenance de la télécommande. Vérifiez qu'il ne soit pas inopinément obstrué (câbles, accessoires, etc.)

Afficheur de la face avant **4**

Ce grand afficheur fluorescent au centre de la façade du RT-02 donne toutes les informations souhaitables sur la réception d'une station de radio (fréquence, gamme, numéro de présélection, information RDS, etc.)

Touche d'atténuation afficheur DIMMER **H**

Disponible uniquement à partir de la télécommande, cette fonction permet de réduire la luminosité de l'afficheur de la face avant. Chaque pression sur cette touche fait passer d'une luminosité normale (NORMAL) à une luminosité réduite (DIM) puis à l'extinction de l'affichage (OFF), et ainsi de suite.

NOTE: Après chaque extinction puis réallumage du tuner, la luminosité redevient en position normale.

Touche de mémorisation MEMORY **7 B**

La touche repérée MEMORY est utilisée pour confirmer la mémorisation de différents réglages et fonctions du RT-02, et notamment la présélection des stations. Son fonctionnement est expliqué plus loin en détail.

Réglages mode régional

Le RT-02 possède deux modes de fonctionnement par défaut: un pour les États-Unis, l'autre pour l'Europe. Cela concerne les gammes de fréquences AM et FM, les pas de recherche en fréquence, les différences entre les fonctions RDS en Europe et RBDS aux États-Unis. Le tuner que vous possédez a normalement été configuré en usine pour la région qui vous concerne.

Pour passer en mode «USA», appuyez et maintenez la pression simultanément sur les touches POWER, MEMORY et le chiffre «9» pendant au moins 5 secondes. Le mot LOADING apparaît dans l'afficheur, et l'appareil démarre en mode «USA».

Pour passer en mode «Europe», appuyez et maintenez la pression simultanément sur les touches POWER, MEMORY et le chiffre «0» pendant au moins 5 secondes. Le mot LOADING apparaît dans l'afficheur, et l'appareil démarre en mode «Europe».

Commandes de fonctionnement du tuner

Le RT-02 intègre un tuner à synthèse numérique, doté des fonctions RDS et RBDS, avec présélection possible de 30 stations différentes. Cet appareil offre également une grande latitude quant à la recherche des stations. Voici un aperçu général de ces fonctions, expliquées dans les paragraphes qui suivent:

- **Accord en fréquence manuel.** Il permet de «monter» et «descendre» les fréquences pour rechercher les stations disponibles. (Mode TUNE/PRESET sur TUNE, AUTO TUNING hors service et recherche par les touches TUNING).
- **Accord direct par fréquence d'émission.** Ce type d'accord consiste à entrer directement dans le tuner les chiffres correspondants à la fréquence d'accord de la station voulue. (Touche FREQUENCY DIRECT sur la télécommande, puis entrée de la fréquence via le clavier numérique).
- **Recherche automatique d'accord.** Les fréquences sont balayées automatiquement, et la recherche s'arrête à chaque fois qu'elle rencontre un signal suffisamment fort à l'antenne. (Mode TUNE/PRESET sur TUNE, AUTO TUNING en service, puis touches TUNING).
- **Sélection directe d'une station après mémorisation de celle-ci dans la banque des stations présélectionnées.** (Les touches du clavier numérique permettent d'entrer directement le numéro de présélection de la station voulue).
- **Balayage de toutes les stations mises en mémoire.** (La touche PRESET SCAN permet d'écouter brièvement toutes les stations préalablement mises en mémoire).
- **Recherche via les fonctions RDS (Europe) et RBDS (USA).** Ces fonctions fournissent un grand nombre d'indications sur les stations effectivement reçues. Voir plus loin la section RDS.

NOTE: Trois touches de la télécommande (ANT A/B, FM IF NARROW et ANN ANT) ne sont d'aucune utilité avec le tuner RT-02.

Touche de gamme BAND **11** **F**

La touche BAND permet de sélectionner la gamme d'ondes reçue: AM (Petites Ondes) ou FM (Modulation de fréquence). Un indicateur correspondant s'allume dans l'afficheur, à gauche; la dernière station sélectionnée dans chaque gamme d'ondes est automatiquement choisie.

Commande d'accord TUNING **6** **O**

Une paire de touches, repérées <TUNING> sur la face avant, et <TUN/PRESET> sur la télécommande représentent le moyen principal de recherche des stations et d'accord sur celles-ci du RT-02. Vous pouvez utiliser au choix ces deux groupes de touches: leur fonction est identique.

Ces commandes jouent un rôle différent suivant le mode de recherche de station préalablement choisi:

En mode de recherche manuel (AUTO TUNING OFF), une pression sur les touches permet de modifier la fréquence, et de s'arrêter sur n'importe quelle valeur même si celle-ci ne correspond pas effectivement à une émission radio.

En mode de recherche automatique (AUTO TUNING ON), une pression sur une touche TUNING démarre automatiquement la recherche. La gamme de fréquence est balayée, et l'examen des fréquences s'arrête dès qu'une station émise est captée. Les stations émettant un signal trop faible sont volontairement ignorées durant cette recherche automatique. Si aucune nouvelle station n'est détectée, le tuner revient sur la station précédemment choisie. [Voir les paragraphes consacrés aux touches TUNE/ PRESET et AUTO TUNING].

Dans le mode Présélection PRESET TUNING, chaque pression sur une touche sélectionne la station précédente ou suivante, dans l'ordre des présélections (numéros choisis). En mode de recherche RDS PTY, une pression sur une des deux touches entraîne la sélection d'un type de programmes, suivant une liste déroulante dans l'afficheur [Voir le paragraphe concernant la fonction RDS PTY].

NOTE: Plusieurs indicateurs, sur l'afficheur, vous assistent en permanence pendant les opérations de recherche d'une station. La fréquence est toujours affichée de manière claire et précise. Un indicateur «TUNED» confirme la bonne réception d'une station. L'indicateur «ST» s'allume si la station reçue émet en stéréophonie. Enfin, des indicateurs renseignent en permanence sur le mode de recherche et d'accord sélectionné.

Clavier numérique: Présélection des stations **5** **A**

Le RT-02 peut mettre en mémoire jusqu'à trente stations différentes, que l'on rappelle ensuite via le clavier numérique, en tapant simplement leur numéro de mise en mémoire. Ces mémorisations concernent indifféremment des stations émises en AM ou en FM.

Normalement, le RT-02 est livré en sortie d'usine avec un certains nombres de stations déjà mémorisées, mais celles-ci ne correspondent évidemment pas forcément à vos goûts (ou à vos fréquences en fonction de la situation géographique). Pour mémoriser une station, procéder comme suit:

1. Choisissez la gamme d'ondes désirée, AM ou FM, et trouvez la station voulue.
2. Appuyez sur la touche MEMORY de la face avant: une indication «MEMORY» se met à clignoter dans l'afficheur.
3. Pendant que cet indicateur MEMORY clignote, appuyez sur le numéro de présélection que vous désirez attribuer à la station en question. Par exemple, pour mémoriser la station dans la banque de mémoire n° 3, appuyez sur la touche «3». Pour la mémoriser sous le numéro 15, appuyez successivement sur les touches «1» puis «5».
4. Une station préalablement mise en mémoire sous ce même numéro sera alors automatiquement effacée, laissant place à la nouvelle.

Pour choisir une station préalablement mise en mémoire sous un numéro de mémorisation, appuyez simplement sur les touches correspondantes du clavier numérique: «3» pour la station n° 3, «1» et «5» pour la station n° 15. Pour la station mise en mémoire sous le numéro 30, appuyez sur la touche «3» puis la touche «0».

NOTE: Le clavier numérique est également utilisé pour entrer la fréquence exacte d'émission d'une station, lors de l'accord par entrée directe de la fréquence.

Touche de recherche par fréquence FREQUENCY DIRECT: Accord par accès direct **G**

Si vous connaissez la fréquence exacte de réception d'une station, vous pouvez entrer directement cette valeur (uniquement à partir de la télécommande), en utilisant successivement la touche repérée «FREQUENCY DIRECT» puis les touches du clavier numérique.

1. Appuyez sur la touche FREQUENCY DIRECT afin de faire passer les touches chiffrées du clavier numérique du mode de sélection des stations pré-réglées au mode d'accord par entrée directe de la fréquence de réception. L'affichage de la fréquence, en face avant se transforme en une suite de tirets, le premier clignotant.
2. Entrez le premier chiffre correspondant à la fréquence de réception. Il apparaît sur l'afficheur, tandis que le second tiret clignote. Entrez ainsi tous les chiffres composant la valeur de la fréquence de réception. Lorsque tous les chiffres ont été entrés, la station est automatiquement reçue par le tuner.

NOTE: sur la version européenne du RT-02, on presse successivement les touches «1» et «0» pour entrer la valeur 10, alors que dans la version américaine, une pression sur «1» suffit. De même, la version européenne nécessite d'entrer deux chiffres après la virgule, là où la version américaine ne nécessite qu'un seul chiffre.

EXEMPLES:

(USA FM) 87,50 MHz:
Appuyez sur 8 > 7 > 5

(Europe FM) 87,50 MHz:
Appuyez sur 8 > 7 > 5 > 0

(USA, AM) 1610 kHz:
Appuyez sur 1 > 6 > 1

(Europe, AM) 1611 kHz:
Appuyez sur 1 > 6 > 1 > 1

Si aucune fréquence n'est entrée dans les cinq secondes suivant la dernière pression d'une touche, le tuner annule automatiquement le principe d'entrée directe de la fréquence.

Touche d'accord automatique AUTO TUNING **8 J**

La touche AUTO TUNING permet de choisir entre le mode de recherche directe par affichage de la fréquence et le mode de recherche manuel. En mode AUTO TUNING, chaque impulsion sur le bouton rotatif de la face avant ou une des touches de la télécommande fait automatiquement défiler la fréquence de réception des stations. Dès que le tuner rencontre une station, il s'arrête sur celle-ci. Une nouvelle impulsion sur le bouton ou pression sur une des touches relance la recherche. Les stations d'un niveau de réception trop faible sont automatiquement ignorées. Si aucune station n'est détectée, le tuner revient automatiquement à la fréquence de départ du balayage.

Pour passer du mode de recherche par fréquence FREQUENCY TUNING MODE au mode de recherche automatique, appuyez sur la touche AUTO TUNING. L'indication «AUTO» apparaît dans l'afficheur.

NOTE: Le mode AUTO TUNING est désengagé lorsque la touche TUNE/PRESET est placée en mode de recherche PRESET. Voir les paragraphes suivants.

Touche d'accord/présélection TUNE/PRESET **9 K**

La touche TUNE/PRESET permet de passer du mode de recherche par fréquence FREQUENCY TUNING (recherche et avance jusqu'à la station captée suivante) au mode de recherche PRESET TUNING (passage d'une station préalablement présélectionnée à la stations présélectionnée suivante). Pour passer d'un mode à l'autre, simplement presser la touche TUNE/PRESET. Lorsque le mode PRESET est choisi, l'indication «PRESET» apparaît dans l'afficheur.

NOTE: Le mode AUTO TUNING est automatiquement désengagé lorsque la touche TUNE/PRESET est utilisée en position PRESET.

Touche de balayage des stations PRESET SCAN **10 D**

Ces touches activent la fonction de balayage automatique de chacune des stations présélectionnées. Lorsque vous pressez cette touche, le tuner commence automatiquement à vous faire écouter, successivement et pendant cinq secondes, chacune des stations précédemment mémorisées. Pour arrêter ce balayage sur la station en cours d'audition, appuyez simplement une seconde fois sur la touche.

NOTE: Si une station présélectionnée est en écoute au moment où l'on utilise la fonction PRESET SCAN, la première station suivante écoutée sera celle dont le numéro de mise en mémoire est immédiatement supérieur à la station que l'on écoutait. Si on n'écoutait pas une station présélectionnée, le balayage commence sur la station n° 1 et se termine avec la station n° 30.

Touche de réception mono FM MONO **1**

Cette touche permet de forcer la réception d'une station stéréophonique en monophonie. C'est souvent une solution nécessaire lorsque la force du signal présente à l'antenne est trop faible. En stéréo, un indicateur correspondant s'allume dans l'afficheur.

NOTE: On utilisera systématiquement la touche Mono lorsque la réception FM est entachée de souffle ou de perturbations parasites diverses. En effet, un signal moins fort suffit généralement pour une bonne reproduction mono alors qu'il faut un signal fort pour une bonne réception en stéréo.

Réception de type RDS

Le Rotel RT-02 est équipé des fonctions RDS, ou Radio Data System (fonctions RBDS pour les États-Unis). Le principe du RDS consiste à transmettre en plus du message sonore normal des informations codées qui ajoutent des fonctions et possibilités au tuner. Les principales fonctions ajoutées sont les suivantes :

1. Affichage en clair du nom de la station reçue (par exemple, «Classique»)
2. Affichage du type de programme écouté (News pour infos, Rock, etc.)
3. Commutation automatique sur les informations routières
4. Texte défilant donnant diverses indications (morceau de musique émis, etc.)

De plus, le RDS permet d'accéder à d'autres fonctions pratiques :

1. Recherche de stations ne concernant qu'un type de programme (mode PTY, très peu répandu en France)
2. Recherche automatique des informations routières (mode TP)
3. Recherche automatique des stations diffusant régulièrement les informations routières (mode TGA)

Les fonctions RDS sont désormais utilisées par la majorité des stations FM émettant en Europe. Pour information, le mode RBDS américain, semblable dans son principe, est plus récent et moins répandu.

NOTE: Les fonctions RDS sont dépendantes de chaque station écoutée. Si celles-ci ne semblent pas accessibles, n'incriminez pas votre tuner ! Il fonctionnera alors comme un tuner traditionnel.

NOTE: Les fonctions RDS ne sont accessibles que sur la bande FM. Les fonctions décrites ci-dessous ne fonctionnent donc que sur cette bande de fréquences.

Touche d'afficheur DISPLAY **L**

Il y a cinq options d'affichage réservées au mode de réception d'une station RDS. L'accès à ces modes d'affichage se fait de manière séquentielle, en pressant une ou plusieurs fois la touche repérée DISPLAY. Ces options sont les suivantes :

1. Affichage standard de la fréquence
2. Affichage du nom de la station PS (en entier ou en abrégé, selon le choix de la station radio elle-même).
3. Affichage du type de programme PTY (très peu répandu en France, cette fonction permet de classer les stations suivant le type de programme émis.) Par exemple, les catégories sont Musique Classique, Jazz, Rock, Pop, Informations, Sport, Culture, Météo, Religion, Voyage, etc.) Si la station n'émet pas le signal RDS correspondant, l'indication PT clignote dans l'afficheur.
4. Heure (Clock Time). La date et l'heure sont affichées. Si la station n'émet pas le signal RDS correspondant, l'indication CT clignote dans l'afficheur.
5. Radio Text. Des messages écrits sont diffusés sur l'afficheur du tuner (fonction peu utilisée en France). Si la station n'émet pas le signal RDS correspondant, l'indication RT clignote dans l'afficheur.

Touche PTY **E**

La fonction de recherche PTY permet de ne sélectionner que les stations diffusant un certain type de message. (Fonction pratiquement pas utilisée en France).

1. Appuyez sur la touche PTY. Le contenu correspondant au type de programme apparaît sur l'afficheur.
2. Pour choisir un autre type de programme, utilisez les commandes TUNING.
3. Appuyez une seconde fois sur la touche PTY dans les cinq secondes, et le tuner ne recherchera que les stations diffusant le type de programme sélectionné. Si vous n'appuyez pas dans les cinq secondes, la fonction PTY est annulée.
4. Si aucune station ne correspond au type de programme sélectionné, le tuner revient sur la station précédemment sélectionnée.

5. Annulez la fonction PTY en pressant n'importe quelle touche (sauf les touches DIMMER et FM MONO, qui n'ont pas d'effet d'annulation).

Touche TP **N**

Cette touche permet de rechercher les stations de radio émettant des informations routières régulières.

1. Pressez la touche TP. Le tuner cherche une station émettant des informations routières.
2. Si aucune station n'est trouvée, le tuner revient sur la station précédemment écoutée.
3. Annulez la fonction TP en pressant n'importe quelle touche (sauf les touches DIMMER et FM MONO, qui n'ont pas d'effet d'annulation).

Touche TA **M**

Cette touche permet de rechercher les stations de radio émettant des informations routières spéciales

1. Pressez la touche TA. Le tuner cherche une station émettant des informations routières.
2. Si aucune station n'est trouvée, le tuner revient sur la station précédemment écoutée.
3. Annulez la fonction TA en pressant n'importe quelle touche (sauf les touches DIMMER et FM MONO, qui n'ont pas d'effet d'annulation).

Touche AF

Dans certains cas, une station RDS est une station émettant sur plusieurs fréquences différentes afin de couvrir, avec le même programme, une zone géographique étendue. (C'est le cas des stations de radio France, et de RTL, Europe 1, etc.) ces stations envoient alors au tuner, en permanence, une liste de fréquences «alternatives» permettant de capter le même programme. Si c'est le cas, l'indication «AF» apparaît dans l'afficheur.

La touche AF est utilisée pour essayer ces diverses stations afin de trouver le signal émis le plus fort. Cette fonction est activée en permanence si l'indicateur AF est allumé.

1. Pressez la touche AF. Le tuner recherche alors toutes les fréquences «alternatives» stockées dans une liste, et s'accorde sur le signal à l'antenne correspondant le plus fort.
2. Si aucune station n'est trouvée, le tuner revient sur la station précédemment écoutée.
3. Si le signal trouvé devient trop faible, le tuner retourne à la fréquence précédente.
4. Annulez la fonction AF en pressant n'importe quelle touche (sauf les touches DIMMER et FM MONO, qui n'ont pas d'effet d'annulation).

Spécifications

Tuner FM

Sensibilité utile:	14,2 dBf
Sensibilité pour S/B = 50 dB:	20,2 dBf (mono) 45,3 dBf (stéréo)
Rapport signal/bruit (à 65 dBf):	73 dBf (mono) 70 dBf (stéréo)
Réponse en fréquence:	10 Hz-15 kHz, ± 3 dB
Distorsion harmonique (à 65 dBf):	0,2 % (mono) 0,3 % (stéréo)
Rapport de capture:	2 dB
Sélectivité:	47 dB (± 400 kHz)
Réjection fantôme:	90 dB
Réjection image:	80 dB
Réjection FI:	80 dB
Réjection AM:	55 dB
Séparation des canaux (100 Hz/1 kHz/10 kHz):	40/45/35 dB
Niveau de sortie:	1 volt
Entrée antenne:	75 ohms asymétrique

Tuner AM

Sensibilité utile:	500 µV/m
Sélectivité:	25 dB
Distorsion harmonique:	0,5 %
Réjection image:	45 dB
Rapport signal/bruit:	40 dB
Niveau de sortie:	500 mV
Entrée antenne:	Antenne cadre

Divers

Consommation électrique:	10 watts
Alimentation secteur:	115 volts, 60 Hz (USA); 230 volts, 50 Hz (Europe)
Poids:	3,9 kg
Dimensions (L x H x P):	435 x 72 x 319 mm
Hauteur de la façade (pour montage en rack)	60 mm

Toutes ces spécifications sont garanties exactes au moment de l'impression. Rotel se réserve le droit d'effectuer toutes les améliorations souhaitables sans préavis.

Rotel et le logo Rotel HiFi sont des marques déposées de The Rotel Co, Ltd, Tokyo, Japon.

Bitte lesen Sie sich die Bedienungsanleitung vor Gebrauch des Gerätes genau durch. Sie enthält wichtige Sicherheitsvorschriften, die unbedingt zu beachten sind! Bewahren Sie die Bedienungsanleitung so auf, daß sie jederzeit zugänglich ist.

Außer den in der Bedienungsanleitung beschriebenen Handgriffen sollten vom Bediener keine Arbeiten am Gerät vorgenommen werden. Das Gerät ist ausschließlich von einem qualifizierten Fachmann zu öffnen und zu reparieren.

Dieses Gerät darf nur in trockenen Räumen betrieben werden. Um die Gefahr von Feuer oder eines elektrischen Schlags auszuschließen, dürfen keine Flüssigkeiten oder Fremdkörper in das Gerät gelangen. Sollte dieser Fall trotzdem einmal eintreten, trennen Sie das Gerät sofort vom Netz ab. Lassen Sie es von einem Fachmann prüfen und die notwendigen Reparaturarbeiten durchführen.

Befolgen Sie alle Warn- und Sicherheitshinweise in der Bedienungsanleitung und auf dem Gerät.

Dieses Gerät sollte, wie andere Elektrogeräte auch, nicht unbeaufsichtigt betrieben werden.

Ist das Gerät z.B. während des Transports über längere Zeit Kälte ausgesetzt worden, so warten Sie mit der Inbetriebnahme, bis es sich auf Raumtemperatur erwärmt hat und das Kondenswasser verdunstet ist.

Bitte stellen Sie sicher, daß um das Gerät ein Freiraum von 10 cm gewährleistet ist, so daß die Luft ungehindert zirkulieren kann. Stellen Sie das Gerät weder auf ein Bett, Sofa, Teppich oder ähnliche Oberflächen, um die Ventilationsöffnungen nicht zu verdecken. Das Gerät sollte nur dann in einem Regal oder in einem Schrank untergebracht werden, wenn eine ausreichende Luftzirkulation gewährleistet ist.

Stellen Sie das Gerät nicht in die Nähe von Wärmequellen (Heizkörper, Wärmespeicher, Öfen oder sonstige wärmeerzeugende Geräte).

Bevor Sie das Gerät in Betrieb nehmen, prüfen Sie, ob die Betriebsspannung mit der örtlichen Netzspannung übereinstimmt. Die Betriebsspannung ist an der Rückseite des Gerätes angegeben.

Schließen Sie das Gerät nur mit dem dazugehörigen zweipoligen Netzkabel an die Wandsteckdose an. Modifizieren Sie das Netzkabel auf keinen Fall. Versuchen Sie nicht, die Erdungs- und/oder Polarisationsvorschriften zu umgehen. Das Netzkabel sollte an eine zweipolige Wandsteckdose angeschlossen werden. Verwenden Sie keine Verlängerungskabel.

Netzkabel sind so zu verlegen, daß sie nicht beschädigt werden können (z.B. durch Trittbelastung, Möbelstücke oder Erwärmung). Besondere Vorsicht ist dabei an den Steckern, Verteilern und den Anschlußstellen des Gerätes geboten.

Sollten Sie das Gerät für eine längere Zeit nicht in Betrieb nehmen, ziehen Sie den Netzstecker aus der Steckdose.

Schalten Sie das Gerät sofort aus und ziehen Sie geschultes Fachpersonal zu Rate, wenn:

- das Netzkabel oder der Stecker beschädigt sind,
- Gegenstände bzw. Flüssigkeit in das Gerät gelangt sind,
- das Gerät Regen ausgesetzt war,
- das Gerät nicht ordnungsgemäß funktioniert bzw. eine deutliche Leistungsminderung aufweist,
- das Gerät hingefallen ist bzw. beschädigt wurde.

Ziehen Sie den Netzstecker aus der Steckdose, bevor Sie mit der Reinigung des Gerätes beginnen. Reinigen Sie die Oberflächen des Gerätes nur mit einem weichen, trockenen Tuch. Verwenden Sie keine scharfen Reinigungs- oder Lösungsmittel. Vor der erneuten Inbetriebnahme des Gerätes ist sicherzustellen, daß an den Anschlußstellen keine Kurzschlüsse bestehen und alle Anschlüsse ordnungsgemäß sind.

Stellen Sie das Gerät waagrecht auf eine feste, ebene Unterlage. Es sollte weder auf beweglichen Unterlagen noch Wagen oder fahrbaren Untergeräten transportiert werden.

Inhaltsverzeichnis

Die grau markierten Zahlen beziehen sich auf die Abbildungen des RT-02.

Die grau markierten Buchstaben beziehen sich auf die Abbildung der RR-T92.

Figure 1: Bedienelemente und Anschlüsse	3
Figure 2: Fernbedienung RR-T92	3
Figure 3: Anschlußdiagramm	4
Die Firma Rotel	19
Zu dieser Anleitung	19
Die wesentlichen Merkmale	19
Auspacken	19
Aufstellung des Gerätes	19
Anschlüsse an der Rückseite	19
Cinch-Ausgänge 14	19
AM-Antennenanschluß 13	20
FM-Antennenanschluß 12	20
Netzeingang 17	20
12 V TRIGGER-Anschluß 15	20
EXT REMOTE IN-Buchse 16	20
Grundbedienelemente	20
Netzschalter 1 und POWER-LED 2	20
Fernbedienungssensor 3	20
Frontdisplay 4	21
DIMMER-Taste H	21
MEMORY-Taste 7 B	21
Einstellen des Ländermodus	21
Grund-Tuning-Funktionen	21
BAND-Taste 11 F	21
Bedienelemente zur Frequenzabstimmung (TUNING CONTROLS) 6 O	21
ZIFFERTASTEN: Senderspeicher 5 A	22
FREQUENCY DIRECT-Taste C : Direkte Wahl mit der Zehnertastatur	22
AUTO TUNING-Taste 8 J	22
TUNE/PRESET-Taste 9 K	22
PRESET SCAN-Taste 10 D	22
FM MONO-Taste I	23
RDS- und RBDS-Empfang	23
DISPLAY-Taste L	23
PTY-Taste E	23
TP-Taste N	23
TA-Taste M	24
AF-Taste G	24
Technische Daten	24

Die Firma Rotel

Die Firma Rotel wurde vor 40 Jahren von einer Familie gegründet, deren Interesse an Musik so groß war, daß sie beschloß, qualitativ hochwertigste HiFi-Produkte herzustellen und Musikliebhabern ungeachtet ihres Geldbeutels einen außergewöhnlichen Wert zukommen zu lassen. Ein Ziel, das von allen Rotel-Angestellten verfolgt wird.

Die Ingenieure arbeiten als Team eng zusammen. Sie hören sich jedes neue Produkt an und stimmen es klanglich ab, bis es den gewünschten Musikstandards entspricht. Die eingesetzten Bauteile stammen aus verschiedenen Ländern und wurden ausgewählt, um das jeweilige Produkt zu optimieren. So finden Sie in Rotel-Geräten Kondensatoren aus Großbritannien und Deutschland, Halbleiter aus Japan oder den USA und direkt bei Rotel gefertigte Ringkerntransformatoren.

Rotels guter Ruf wird durch hunderte von Testerfolgen von den angesehensten Testern der Branche, die jeden Tag Musik hören, untermauert. Die Ergebnisse beweisen, daß das Unternehmen sein Ziel konsequent verfolgt hat, mit Equipment hoher Musikalität und Zuverlässigkeit bei gleichzeitig günstigen Preisen.

Wir wünschen Ihnen viel Hörvergnügen.

Zu dieser Anleitung

Vielen Dank, daß Sie sich für den Rotel-AM/FM-Stereo-Tuner RT-02 entschieden haben. Rotels Balanced-Design-Konzept entsprechend verfügt dieser Tuner über ein ausgeklügeltes Platinenlayout und hochwertige Bauteile. Klanglich überzeugt er ebenso wie in puncto Zuverlässigkeit.

Die wesentlichen Merkmale

- Tuning-Funktionen für UKW- und MW-Sender
- Bedienerfreundliches FL-Display
- 30 Senderspeicher
- Manuelle Einstellmöglichkeit der Frequenz und Senderspeichersuche, automatische Frequenzabstimmung, Senderspeichersuchlauf, direkte Frequenzeinstellung
- RDS(Radio Data System) für Europa und RBDS(Radio Broadcast Data Service) für die USA
- FM Mono-Taste
- 12V TRIGGER-Anschluß zur Fernein- und -abschaltung durch Vorverstärker und Surround-Prozessoren von Rotel
- Bedienerfreundliche Fernbedienung

Auspacken

Nehmen Sie das Gerät aus der Verpackung. Neben dem Tuner enthält der Versandkarton eine Fernbedienung und weiteres Zubehör. Setzen Sie die beiliegenden Batterien in die Fernbedienung ein. Bewahren Sie den Versandkarton und das übrige Verpackungsmaterial des RT-02 für einen eventuellen späteren Einsatz auf. Der Versand oder Transport des Tuners in einer anderen als der Originalverpackung kann zu erheblichen Beschädigungen des Gerätes führen.

Aufstellung des Gerätes

Stellen Sie das Gerät auf eine stabile, trockene und waagerechte Oberfläche, wo es vor direkter Sonneneinstrahlung, extremer Wärme, hoher Luftfeuchtigkeit und starken Vibrationen geschützt ist.

Der RT-02 erwärmt sich während des normalen Betriebes. Wird er in einen Schrank eingebaut, muß für eine ausreichende Luftzirkulation gesorgt werden.

Achten Sie darauf, daß hinter dem RT-02 genügend Freiraum vorhanden ist, um ihn problemlos anschließen zu können. Stellen Sie das Gerät in die Nähe der anderen, zu Ihrem Audio-/Video-System gehörenden Geräte. Optimal ist die Unterbringung in speziellem HiFi-Mobiliar. Dadurch vereinfacht sich das Verlegen der Kabel, die Verbindung der Geräte untereinander und auch Veränderungen im System sind einfacher durchzuführen. Ferner wird dadurch möglichen Interferenzen mit anderen Systemkomponenten vorgebeugt.

Stellen Sie keine schweren Gegenstände auf den RT-02. Schützen Sie das Gerät vor Feuchtigkeit, da durch sie die empfindlichen Schaltkreise beschädigt werden können und Sie lebensgefährlichen Spannungen ausgesetzt werden.

Anschlüsse an der Rückseite

Der RT-02 verfügt über die folgenden Anschlußmöglichkeiten: Audiohochpegelausgänge, einen FM-Antennenanschluß, einen AM-Antennenanschluß, einen 12 V TRIGGER-Anschluß, einen EXT REMOTE IN-Anschluß sowie den Netzeingang.

HINWEIS: Schließen Sie die Systemkomponenten erst an das Netz an, wenn die Geräte miteinander verbunden sind und alle Verbindungen zwischen den Geräten ordnungsgemäß hergestellt wurden.

Cinch-Ausgänge 14

Über die beiden Hochpegel-Cinch-Audioausgänge sendet der RT-02 Stereo-Signale konstanter Stärke zu Ihrem Vorverstärker, System-Controller oder Vollverstärker. Verwenden Sie ein Standard-Cinch-Audiokabel, um die mit „LEFT OUTPUT“ gekennzeichnete Buchse mit dem linken Tuner-Eingangsanschluß an Ihrem System-Controller zu verbinden. Verbinden Sie die mit „RIGHT OUTPUT“ gekennzeichnete Buchse über ein zweites Standard-Cinch-Kabel mit dem rechten Tuner-Eingangsanschluß an Ihrem System-Controller.

AM-Antennenanschluß **13**

Zum Empfang der MW-Radiosignale liegt dem RT-02 eine Rahmenantenne bei. Nehmen Sie die Rahmenantenne aus dem Versandkarton und platzieren Sie sie neben dem RT-02.

Schließen Sie das zweiadrige 300-Ohm-Kabel der Rahmenantenne mit den Kabelschuhen an die mit „AM“ und „G“ gekennzeichneten Anschlußklemmen an. Dabei spielt es keine Rolle, welches Kabel mit welcher Anschlußklemme verbunden wird. Achten Sie aber auf eine stabile Verbindung und darauf, daß die beiden Kabel sich nicht berühren.

Verändern Sie die Ausrichtung der Antenne solange, bis Sie einen optimalen Empfang haben.

HINWEIS: Schließen Sie eine MW-Außenantenne erst dann an, wenn das Antennensystem von einem Fachmann den örtlichen Vorschriften entsprechend installiert worden ist. Die Außenantenne wird wie die Rahmenantenne über ein zweiadriges 300-Ohm-Kabel an die mit „AM“ und „G“ gekennzeichneten Anschlußklemmen angeschlossen.

FM-Antennenanschluß **12**

Der RT-02 wird mit einer T-förmigen UKW-Zimmerantenne geliefert. Nehmen Sie die Antenne aus der Verpackung und schließen Sie den Koax-F-Stecker an den FM-Antennenanschluß an der Rückseite des RT-02 an. An jeder Seite der T-förmigen Antenne befindet sich jeweils eine Befestigungsöse. Damit kann die Antenne an einer Wand befestigt werden. Experimentieren Sie mit der Position der Antenne, bis der Empfang optimal ist.

HINWEIS: Verwenden Sie eine Außenantenne, so schließen Sie das 75-Ohm-Koaxialkabel anstelle der Zimmerantenne an den FM-Anschluß an. Vorher ist das Antennensystem von einem Fachmann entsprechend der örtlichen Bestimmungen zu installieren. In den USA ist der beiliegende Adapter (F-Typ) erforderlich, um das 75-Ohm-Koaxialkabel an den Antenneneingang anzuschließen.

Netzeingang **17**

Ihr RT-02 wird von Rotel so eingestellt, daß er der in Ihrem Land üblichen Wechselspannung (EC: 230 Volt/50Hz, USA: 115 Volt/60 Hz) entspricht. Die Einstellung ist an der Geräterückseite angegeben.

Schließen Sie das beiliegende Netzkabel an den Netzeingang des Gerätes an. Sind alle Verbindungen ordnungsgemäß hergestellt, schließen Sie das Netzkabel an eine Wandsteckdose oder die Gerätesteckdose einer anderen Systemkomponente an.

12 V TRIGGER-Anschluß **15**

Der RT-02 kann über das 12-Volt-Triggersignal eines Rotel-Vorverstärkers aktiviert werden.

Der Triggereingang akzeptiert Gleich- oder Wechselspannungssignale von 3 bis 30 Volt. Ist ein Kabel an den Eingang angeschlossen und liegt ein Triggersignal an, wird der Tuner aktiviert. Wird das Triggersignal unterbrochen, schaltet der Tuner in den Standby-Modus. Die POWER-LED leuchtet weiter, jedoch schalten sich Display und Gerät ab.

HINWEIS: Möchten Sie das 12V-Trigger-Feature nutzen, so ist die POWER-Taste in die EIN-Position zu setzen.

EXT REMOTE IN-Buchse **16**

Über diese 3,5-mm-Buchse kann der RT-02 die Signale eines Standard-Infrarot-Empfängers von Xantech empfangen. Dieses Ausstattungsmerkmal ist besonders hilfreich, wenn das Gerät in einen Schrank eingebaut oder der Sensor verdeckt ist. Lassen Sie sich diesbezüglich von Ihrem autorisierten Rotel-Fachhändler beraten.

Grundbedienelemente

Die folgenden Erläuterungen helfen Ihnen, sich mit den Ausstattungsmerkmalen und Bedienelementen vertraut zu machen. Die Referenzangaben beziehen sich auf die Abbildungen am Anfang dieser Bedienungsanleitung.

Die meisten Funktionen können über die Bedienelemente an der Gerätefront (vergleiche Ziffern in der Abbildung der Gerätefront) und die beiliegende Fernbedienung (vergleiche Buchstaben in der Abbildung der Fernbedienung) gesteuert werden. Möchten Sie beispielsweise von MW auf UKW umschalten, können Sie entweder die BAND-Taste **11** an der Gerätefront drücken oder die BAND-Taste **F** auf der Fernbedienung. Bei einer Referenzangabe kann diese Funktion entweder nur über die Bedienelemente an der Gerätefront oder nur über die Fernbedienung aktiviert werden.

Netzschalter **1** und POWER-LED **2**

Der RT-02 kann nur über den NETZSCHALTER an der Gerätefront und nicht über die Fernbedienung ein- und ausgeschaltet werden.

Drücken Sie den Netzschalter, um das Gerät einzuschalten. Die LED über dem Netzschalter und das Display beginnen zu leuchten. Drücken Sie den Netzschalter noch einmal, so schaltet sich das Gerät ab.

HINWEIS: Wenn Sie den RT-02 an die Gerätesteckdose einer anderen Systemkomponente anschließen oder die 12V TRIGGER-Funktion nutzen, muß der NETZSCHALTER vorher gedrückt (also in die EIN-Position) gebracht werden.

Fernbedienungssensor **3**

Der Fernbedienungssensor an der Gerätefront empfängt die Infrarotsignale der Fernbedienung. Stellen Sie sicher, daß dieser Sensor nicht versehentlich durch Kabel oder Zubehör verdeckt wird.

Frontdisplay

Das große FL-Display ist mittig in den RT-02 integriert und stellt Statusinformationen über den AM/FM-Receiver zur Verfügung (z.B. Anzeige der Sendefrequenz, des Bandbereichs, des Senderspeichers, von RDS-Informationen usw.).

DIMMER-Taste

Diese Taste finden Sie nur auf der Fernbedienung. Sie haben die folgenden Einstellmöglichkeiten: NORMAL, DIM oder OFF. Ist OFF aktiviert, so wird im Display nach Drücken einer beliebigen Taste die normale Helligkeitsstufe eingestellt. Durch Drücken der DIMMER-Taste rufen Sie nacheinander die zur Verfügung stehenden Einstellungen auf.

HINWEIS: Wird der Tuner ausgeschaltet und dann wieder eingeschaltet, leuchtet das Display in der normalen Helligkeitsstufe.

MEMORY-Taste

Mit der MEMORY-Taste können verschiedene Einstellungen im Setup und beim Betrieb des RT-02 bestätigt und gespeichert werden (z.B. die Senderspeicher). Bitte beachten Sie die nachfolgenden Erläuterungen.

Einstellen des Ländermodus

Der RT-02 verfügt über zwei Standard-Modi: über RBDS für die USA und RDS für Europa. Ihr Gerät wird im Werk passend für das Land eingestellt, in das es geliefert wird.

Um in den US-Standardmodus zu schalten, drücken Sie 5 Sekunden lang die POWER-, die MEMORY- und die Zifferntaste 9. Im Display erscheint das Wort LOADING, und das Gerät wechselt in den US-Modus.

Um in den Europa-Modus zu schalten, drücken Sie 5 Sekunden lang die POWER-, die MEMORY- und die Zifferntaste 0. Im Display erscheint das Wort LOADING, und das Gerät wechselt in den europäischen Modus.

Grund-Tuning-Funktionen

Der RT-02 ist ein AM/FM-Digitaltuner mit RDS- und RBDS-Funktion sowie 30 Senderspeichern. Das Gerät bietet eine Reihe von Tuning-Funktionen. Im folgenden erhalten Sie eine kurze Übersicht (weitere Einzelheiten entnehmen Sie bitte den entsprechenden Abschnitten in dieser Anleitung):

- **Manuelles Einstellen der Frequenz.** Setzen Sie dazu die TUNE/PRESET-Taste auf TUNE. Deaktivieren Sie die AUTO-TUNING-Funktion. Nutzen Sie die TUNING-Tasten, um auf höhere bzw. niedrigere Frequenzen umzuschalten.
- **Bei der direkten Frequenzeinstellung** geben Sie die Frequenz des gewünschten Senders direkt über die Zifferntasten ein. Drücken Sie zunächst die FREQUENCY DIRECT-Taste auf der Fernbedienung und anschließend die entsprechenden ZIFFERNTASTEN.
- **Bei der automatischen Frequenzabstimmung** können Sie höhere und niedrigere Frequenzen anwählen und so das nächste Sendesignal finden. Setzen Sie die TUNE/PRESET-Taste auf TUNE. Aktivieren Sie den AUTO-TUNING-Modus. Suchen Sie über die TUNING-Bedienelemente nach Sendern mit höheren und niedrigeren Frequenzen.
- **Bei der Senderspeichersuche** können Sie die Nummer eines gespeicherten Senders direkt über die Zifferntasten eingeben.
- **Beim Senderspeichersuchlauf** werden die gespeicherten Sender der Reihe nach abgerufen. Drücken Sie die PRESET SCAN-Taste, um mit dem Suchlauf zu beginnen.
- **Die RDS (Europa)- bzw. RBDS (USA)-Funktion** bietet eine Reihe von besonderen Tuning- und Suchmöglichkeiten. Diese basieren auf Datencodes, die mit dem Sendesignal codiert sind. Detaillierte Informationen hierzu können Sie dem Abschnitt „RDS- und RBDS-Empfang“ in dieser Anleitung entnehmen.

HINWEIS: Drei Tasten auf der RR-T92 (ANT A/B, FM IF NARROW und ANT ATT) können nicht zur Fernbedienung des Tuners RT-02 genutzt werden.

BAND-Taste

Mit der BAND-Taste können Sie zwischen UKW- und MW-Sendern hin und her schalten. Zur Bestätigung Ihrer Wahl leuchtet eine entsprechende Anzeige links im DISPLAY. Die Frequenz des eingestellten Senders wird angezeigt.

Bedienelemente zur Frequenzabstimmung (TUNING CONTROLS)

Die Tasten < TUNING > an der Gerätefront und < TUN/PRESET > auf der Fernbedienung dienen beim RT-02 als wesentliche Bedienelemente zur Frequenzabstimmung. Sie können sowohl die Tasten an der Gerätefront als auch die Tasten auf der Fernbedienung nutzen; ihre Funktion ist identisch.

Abhängig vom Betriebsmodus verfügt der RT-02 über mehrere verschiedene Tuning-Funktionen:

Im Frequenzabstimmmodus mit deaktivierter AUTO-TUNING-Funktion drücken Sie eine TUNING-Taste, um manuell zur nächsten Frequenz zu springen. Dies ist unabhängig davon, ob auf dieser Frequenz gesendet wird oder nicht. [Weitere Informationen zur Änderung der Tuning-Modi entnehmen Sie bitte unten den Abschnitten TUNE/PRESET-Taste und AUTO-TUNING-Taste.]

Im Frequenzabstimmmodus mit aktivierter AUTO-TUNING-Funktion drücken Sie eine TUNING-Taste, um den AUTO-TUNING-Modus zu aktivieren. Der Tuner beginnt nun automatisch, die einzelnen Frequenzen zu durchlaufen, bis das nächste Empfangssignal erkannt wird. Ist der gefundene Sender nicht der gewünschte, wiederholen Sie den Auto-Tuning-Vorgang, um den nächsten Sender zu finden. Schwache Sender werden im Auto-Tuning-Modus übersprungen. Empfängt der Tuner kein Signal, so kehrt er zum zuletzt eingestellten Sender zurück. [Weitere Informationen zur Änderung der Tuning-Modi entnehmen Sie bitte den Abschnitten TUNE/PRESET-Taste und AUTO-TUNING-Taste.]

Im **PRESET-TUNING-Modus** drücken Sie eine TUNING-Taste, um den nächsten Senderspeicher aufzurufen. [Weitere Informationen zur Änderung der Tuning-Modi entnehmen Sie bitte dem Abschnitt TUNE/PRESET-Taste.]

Im **RDS-PTY-Suchmodus** drücken Sie eine TUNING-Taste, um die gewünschte Programmkategorie aus einer im Display erscheinenden Liste auszuwählen. [Weitere Informationen entnehmen Sie bitte dem Abschnitt zur PTY-Taste].

HINWEIS: Beim Tunen zeigt sich das großzügige Display an der Gerätefront besonders bedienerfreundlich. Es zeigt die eingestellte Frequenz an, die sich während des Tunens erhöht bzw. reduziert. Eine Signalstärkeanzeige gibt Auskunft über die Empfangsbedingungen. Das Wort TUNED erscheint, wenn ein Signal ausreichender Stärke empfangen wird. Ist das eingehende Signal ein Stereo-FM-Signal, leuchtet ST. Zusätzlich wird der gewählte Tuning-Modus angezeigt.

ZIFFERTASTEN: Senderspeicher **5 A**

Der RT-02 kann bis zu 30 UKW-/MW-Sender in beliebiger Reihenfolge speichern. Diese Sender können jederzeit über die ZIFFERTASTEN abgerufen werden.

Im Werk werden eine Reihe von Sendern gespeichert, wobei diese nicht überall empfangen werden können. So speichern Sie einen neuen Sender:

1. Stellen Sie den gewünschten Bandbereich ein: UKW oder MW.
2. Drücken Sie die MEMORY-Taste an der Gerätefront. Die MEMORY-Anzeige erscheint im Frontdisplay.
3. Drücken Sie nun die Nummer, unter der Sie die Senderfrequenz speichern möchten. Um beispielsweise einen Sender unter der Nummer 3 zu speichern, drücken Sie die Zifferntaste 3. Um einen Sender unter der Nummer 15 zu speichern, drücken Sie erst die Taste 1 und anschließend die Taste 5.

4. Ein Sender wird aus dem Speicher gelöscht, sobald unter derselben Nummer eine neue Frequenz gespeichert wird.

Möchten Sie einen gespeicherten Sender abrufen, so drücken Sie die entsprechende(n) ZIFFERTASTE(N).

Um z.B. Senderspeicher 3 abzurufen, drücken Sie die Taste 3. Um Senderspeicher 30 aufzurufen, drücken Sie die Taste 3 und anschließend innerhalb von 5 Sekunden die Taste 0.

FREQUENCY DIRECT-Taste **G**: Direkte Wahl mit der Zehntertastatur

Kennen Sie die genaue Frequenz des gewünschten Senders, können Sie diese direkt mit der FREQUENCY DIRECT-Taste (nur auf der Fernbedienung) und den ZIFFERTASTEN einstellen.

1. Drücken Sie die FREQUENCY DIRECT-Taste, um den Ziffernblock vom Senderspeicher auf den Direktzugriffsmodus zu schalten. Die Senderfrequenz im Frontdisplay schaltet auf eine Anzahl von Platzhaltern für die Senderfrequenz um. Der erste Platzhalter blinkt.
2. Geben Sie über den ZIFFERNBLOCK die erste Ziffer der Senderfrequenz ein. Die Ziffer erscheint im Frequenzdisplay und der zweite Platzhalter beginnt zu blinken. Geben Sie die restlichen Ziffern für die Frequenz ein. Sind alle Ziffern eingegeben, stimmt der Tuner automatisch auf die angezeigte Senderfrequenz ab.

HINWEIS: Bei der amerikanischen Version geben Sie durch Drücken der 1 eine 10 ein. Bei der europäischen Version müssen Sie zur Eingabe einer 10 die 1 und anschließend die 0 drücken.

BEISPIELE:

(USA FM) 87.50MHz Drücke: 8>7>5
(Europa FM) 87.50MHz Drücke: 8>7>5>0
(USA AM) 1610kHz Drücke: 1>6>1
(Europa AM) 1611kHz Drücke: 1>6>1>1

Erfolgt innerhalb von fünf Sekunden keine Frequenzangabe, wird die FREQUENCY DIRECT Tuning-Funktion deaktiviert. Der Tuner schaltet auf den zuletzt eingestellten Sender zurück.

AUTO TUNING-Taste **8 J**

Mit der AUTO TUNING-Taste können Sie zwischen der Frequenzsuchfunktion und der manuellen Frequenzabstimmung wählen. Nutzen Sie die TUNING-Tasten an der Gerätefront bzw. auf der Fernbedienung zur Abstimmung der Frequenz und befindet sich der Tuner im AUTO TUNING-Modus, beginnt der Tuner automatisch nach dem nächsten Sendesignal zu suchen. Ist der gefundene Sender nicht der gewünschte, nutzen Sie erneut die TUNING-Tasten, um den nächsten Sender zu suchen. Schwache Sender werden beim Auto Tuning übersprungen. Empfängt der Tuner kein Signal, kehrt er zum vorher eingestellten Sender zurück.

Drücken Sie die AUTO TUNING-Taste, um zwischen dem FREQUENCY TUNING-Modus und dem AUTO TUNING-Modus hin und her zu schalten. Im Display erscheint bei aktivierter Auto Tuning-Funktion das Wort AUTO.

HINWEIS: Der AUTO TUNING-Modus wird deaktiviert, wenn die TUNE/PRESET-Taste in den PRESET Tuning-Modus gesetzt wird. Siehe folgenden Abschnitt.

TUNE/PRESET-Taste **9 K**

Mit der TUNE/PRESET-Taste können Sie zwischen dem FREQUENCY-TUNING-Modus (nach Drücken der TUNING-Tasten sucht sich der RT-02 die nächste Sendefrequenz) und dem PRESET TUNING-Modus (nach Drücken der TUNING-Tasten sucht sich der RT-02 den nächsten gespeicherten Sender) wählen. Die PRESET-Anzeige im Frontdisplay leuchtet, wenn der PRESET-Modus aktiviert ist.

HINWEIS: Der AUTO TUNING-Modus wird deaktiviert, wenn die TUNE/PRESET-Taste in den PRESET Tuning-Modus gesetzt wird.

PRESET SCAN-Taste **10 D**

Durch Drücken dieser Taste wird der Senderspeichersuchlauf aktiviert. Alle gespeicherten Sender werden der Reihe nach für fünf Sekunden abgerufen. Hat der RT-02 den gewünschten Sender gefunden, drücken Sie noch einmal die PRESET SCAN-Taste.

HINWEIS: Ist bereits ein gespeicherter Sender eingestellt, so beginnt der Senderspeichersuchlauf nach Drücken der PRESET SCAN-Taste mit der nächst höheren

Speichernummer. Es werden alle Senderspeicher abgerufen, bis der Tuner am Ausgangssender angekommen ist. Drücken Sie die PRESET SCAN-Taste und ist vorher kein gespeicherter Sender eingestellt worden, so beginnt der Senderspeichersuchlauf mit SENDERSPEICHER 1 und ruft bis SENDERSPEICHER 30 alle gespeicherten Sender ab.

FM MONO-Taste **M**

Mit der MONO-Taste schalten Sie im FM-Modus von Stereoempfang auf Monoempfang um. Im Stereo-Modus hören Sie ein Stereosignal, wenn der übertragende Sender ein Stereosignal sendet und die Signalstärke groß genug ist. Im Frontdisplay leuchtet die Stereoanzeige. Im Mono-Modus hören Sie ein Monosignal, auch wenn der Sender ein Stereosignal sendet.

HINWEIS: Das Umschalten in den Mono-Modus kann ein sinnvoller Weg sein, um den Empfang schwacher oder weit entfernter FM-Signale zu verbessern. Für einen sauberen Monoempfang ist eine geringere Signalstärke erforderlich als für den Stereoempfang.

RDS- und RBDS-Empfang

Der Rotel RT-02 ist mit RDS(Radio Data System)-Funktion für Europa und RBDS(Radio Broadcast Data Service)-Funktion für Amerika ausgestattet. Bei diesen Übertragungssystemen werden beim UKW-Empfang zusammen mit dem Radiosignal codierte Signale übertragen. Diese Signale werden decodiert und damit eine Reihe zusätzlicher Informationen zur Verfügung gestellt:

1. Anzeige des Sendernamens des empfangenen Senders (z.B. BBC1)
2. Anzeige des Programminhalts des jeweiligen Senders (z.B. ROCK oder NEWS)
3. Verkehrsfunk
4. eine Fließtextanzeige für Ankündigungen oder Informationen

Zusätzlich haben Sie mit der RDS-Funktion die Möglichkeit,

1. nach einem Sender zu suchen, der den gewünschten Programminhalt ausstrahlt (PTY)
2. einen Sender mit Verkehrsfunk zu suchen (TP)
3. sich den stärksten Sender mit speziellen Verkehrsinformationen zu suchen (TA).

HINWEIS: Eine Nutzung der RDS-Funktionen ist nur dann möglich, wenn der Sender RDS-codierte Signale aussendet. Somit funktioniert dies nur in Ländern, in denen RDS implementiert ist und die Sender RDS-Signale übertragen. Sind keine RDS-Sender vorhanden, arbeitet der RT-02 als Standard-Radio-Receiver.

HINWEIS: RDS- und RBDS-Informationen stehen nur bei UKW-Sendern zur Verfügung. Die im folgenden beschriebenen Features und Tasten können nur im FM-Modus genutzt werden.

DISPLAY-Taste **L**

Überträgt ein eingestellter Sender RDS-Informationen und leuchtet die RDS-Anzeige im Frontdisplay, so gibt es fünf Display-Optionen. Diese können Sie nacheinander durch Drücken der DISPLAY-Taste abrufen:

1. **Standard-FREQUENZ-Anzeige.**
2. **PROGRAMMDIENST-Bezeichnung.** Dies ist normalerweise der Sendername wie z.B. BBC1. Überträgt der eingestellte Sender kein RDS-Signal, blinkt im Display eine entsprechende Anzeige.
3. **PROGRAMMKATEGORIE.** Die folgende Aufzählung ist eine standardisierte Liste von Programmkategorien (NEWS, CURRENT AFFAIRS, INFO, SPORT, EDUCATION, DRAMA, CULTURE, SCIENCE, VARIED, POP, ROCK, EASY LISTENING, LIGHT CLASSICAL, SERIOUS CLASSICAL, OTHER MUSIC, WEATHER, FINANCE, CHILDREN, SOCIAL AFFAIRS, RELIGION, PHONE IN, TRAVEL, LEISURE, JAZZ, COUNTRY, NATIONAL MUSIC, OLDIES, FOLK und DOCUMENTARY). Überträgt der eingestellte Sender kein RDS-Signal, blinkt im Display eine entsprechende Anzeige.

4. **CLOCK TIME.** Eine vom Sender übertragene Zeit- und Datumsanzeige. Überträgt der eingestellte Sender kein RDS-Signal, blinkt im Display eine entsprechende Anzeige.
5. **RADIO TEXT.** Vom Sender ausgestrahlte zusätzliche Fließtextinformationen. Überträgt der eingestellte Sender kein RDS-Signal, blinkt im Display eine entsprechende Anzeige.

PTY-Taste **E**

Die PTY-Suchfunktion ermöglicht die Suche nach RDS-Sendern, die eine vorgegebene Programmkategorie ausstrahlen.

1. Drücken Sie die PTY-Taste. Die Programmkategorie des eingestellten Senders erscheint im Display.
2. Wenn Sie dies möchten, so können Sie mit den TUNING-Tasten die Liste durchsuchen und auf eine andere PROGRAMMKATEGORIE umschalten.
3. Drücken Sie die PTY-Taste innerhalb von 5 Sekunden ein zweites Mal. Der Tuner sucht nun nach einem RDS-Sender, der die gewählte Programmkategorie überträgt. Wird die PTY-Taste innerhalb der nächsten fünf Sekunden nach Auswahl der Programmkategorie nicht gedrückt, wird die Suchfunktion deaktiviert.
4. Findet der Tuner keinen Sender, der die gewünschte Programmkategorie ausstrahlt, kehrt der Tuner zum zuletzt eingestellten Sender zurück.
5. Deaktivieren Sie die PTY-Funktion durch Drücken einer beliebigen anderen Taste (mit Ausnahme der DIMMER- und der FM MONO-Taste).

TP-Taste **N**

Sie suchen einen RDS-Sender, der Verkehrsfunk überträgt:

1. Drücken Sie die TP-Taste. Der Tuner wird versuchen, einen RDS-Sender zu finden, der Verkehrsinformationen sendet.
2. Findet er keinen Sender, wird der Tuner zum zuletzt eingestellten Sender zurückkehren.
3. Deaktivieren Sie die TP-Funktion, indem Sie eine beliebige andere Taste (mit Ausnahme der DIMMER- und der FM MONO-Taste) drücken.

TA-Taste M

So suchen Sie nach einem starken RDS-Sender, der spezielle Verkehrsinformationen überträgt:

1. Drücken Sie die TA-Taste. Der Tuner wird versuchen, einen RDS-Sender zu finden, der die gewünschten Verkehrsinformationen überträgt.
2. Findet er keinen Sender, wird der Tuner zum zuletzt eingestellten Sender zurückkehren.
3. Deaktivieren Sie die TA-Funktion, indem Sie eine beliebige andere Taste (mit Ausnahme der DIMMER- und der FM MONO-Taste) drücken.

AF-Taste G

In einigen Fällen gehört der RDS-Sender zu einem Netz von Sendern, die alle das gleiche Programm übertragen (in Großbritannien wird beispielsweise BBC1 auf mehreren verschiedenen Frequenzen übertragen). Sender, die dieses Programm ausstrahlen, können dem Tuner ein RDS-Datensignal mit einer Liste alternativer Frequenzen senden. Ist diese Liste übertragen worden, erscheint im DISPLAY die AF-Anzeige.

Sind die Empfangsbedingungen des empfangenen Senders schlecht, wird nach dem Drücken der AF-Taste nach einem stärkeren Sender gesucht, der das gleiche Programm ausstrahlt. Die AF-Taste funktioniert allerdings nur, wenn die AF-Anzeige im DISPLAY leuchtet.

1. Drücken Sie die AF-Taste. Die AF-Suche beginnt und es wird geprüft, ob ein stärkerer Sender das gleiche Programm ausstrahlt.
2. Wird kein Sender gefunden, kehrt der Tuner zum zuletzt eingestellten Sender zurück.
3. Ist der neue Sender schwächer als der zuvor eingestellte Sender, so kehrt der Tuner zu diesem zurück.
4. Drücken Sie eine beliebige Taste (mit Ausnahme der DIMMER- und der FM MONO-Taste), um die AF-Funktion zu beenden.

Technische Daten

FM-Tuner

Empfindlichkeit	14,2 dBf
50-dB-Empfindlichkeitsschwelle	20,2 dBf (Mono) 45,3 dBf (Stereo)
Geräuschspannungsabstand (bei 65 dBf)	73 dB (Mono) 70 dB (Stereo)
Klirrfaktor (bei 65 dBf)	0,2 % (Mono) 0,3 % (Stereo)
Frequenzgang	10 - 15000 Hz, ± 3 dB
Gleichwellenselektion	2,0 dB
Nachbarkanalunterdrückung	47 dB (± 400 kHz)
Nebenwellenunterdrückung	90 dB
Spiegelfrequenzdämpfung	80 dB
ZF-Unterdrückung	80 dB
AM-Unterdrückung	55 dB
Stereokanaltrennung (100 Hz/1 kHz/10 kHz)	40 dB/45 dB/35 dB
Ausgangsspannung	1 V
Antenneneingang	75 Ohm (unsymmetrisch)

AM-Tuner

Empfindlichkeit	500 μ V/m
Selektivität	25 dB
Klirrfaktor	0,5 %
Spiegelfrequenzdämpfung	45 dB
Geräuschspannungsabstand	40 dB
Ausgangsspannung	500 mV
Antenneneingang	Anschluß für eine Rahmenantenne

Sonstige Daten

Leistungsaufnahme	10 Watt
Spannungsversorgung	115 V, 60 Hz (USA) 230 V, 50 Hz (Europa)
Gewicht	3,9 kg
Abmessungen (B x H x T)	435 x 72 x 319 mm
Höhe der Gerätefront (wenn Sie das Gerät in ein Rack stellen möchten)	60 mm

Die hierin gemachten Angaben entsprechen dem Stand bei Drucklegung. Änderungen in Technik und Ausstattung vorbehalten.

Rotel und das Rotel HiFi-Logo sind eingetragene Warenzeichen von The Rotel Co, Ltd., Tokio, Japan.

ATTENZIONE: rischio di scossa elettrica, non aprire.

AVVERTENZA: per ridurre il rischio di scossa, non togliete il coperchio del cabinet. Non contiene parti utili per l'utente. Per l'assistenza fate riferimento a personale qualificato.

SPIEGAZIONE DEI SIMBOLI GRAFICI:

Il fulmine inserito in un triangolo vi avverte della presenza di materiale non isolato a "voltaggio elevato" all'interno del prodotto che può essere abbastanza potente da costituire pericolo di folgorazione.

Il punto esclamativo entro un triangolo equilatero vi avverte della presenza di istruzioni importanti per l'utilizzo e la manutenzione nel manuale che accompagna l'apparecchiatura.

ATTENZIONE: Non vi sono parti interne riparabili dall'utilizzatore. Per l'assistenza fate riferimento a personale qualificato.

ATTENZIONE: Per ridurre il rischio di incendio o di folgorazione, non esporre all'umidità o all'acqua. Evitare che oggetti estranei cadano all'interno del cabinet. Se l'apparecchio è stato esposto all'umidità o un oggetto estraneo è caduto all'interno del cabinet, staccare il cordone di alimentazione dalla presa di rete. Portare l'apparecchio ad un centro di assistenza qualificato per i necessari controlli e riparazioni.

Leggere attentamente tutte le istruzioni prima di collegare l'apparecchio alla rete di alimentazione. Conservate questo manuale per ogni riferimento futuro alle istruzioni di sicurezza.

Seguire attentamente tutte le avvertenze e le operazioni per il funzionamento.

Pulire l'unità solamente con un panno asciutto o con un piccolo aspirapolvere.

Lasciate uno spazio libero di 10cm intorno all'unità. L'apparecchiatura non dovrebbe essere posta su un letto, divano, tappeto, o posti che possano bloccare le aperture di ventilazione. Se l'apparecchio è posizionato in una libreria o in un cabinet, fate in modo che ci sia abbastanza spazio attorno all'unità per consentire un'adeguata ventilazione e raffreddamento.

L'unità dovrebbe essere posta lontano da fonti di calore come caloriferi, termostati, stufe, o altri apparecchi che producano calore.

L'apparecchiatura dovrebbe essere collegata solamente a una sorgente elettrica del tipo descritto nelle istruzioni o indicato sul pannello posteriore dell'apparecchiatura.

Collegate l'unità alla presa di alimentazione solo con il cavo a due poli polarizzato che viene fornito o con un equivalente. Non cercate di eliminare la massa o di manomettere le polarizzazioni. Il cavo dovrebbe essere collegato ad un'uscita a muro polarizzata a due poli collegando la lamella piatta della spina nella fessura più ampia. Non usate prolunghie.

Non far passare il cavo di alimentazione dove potrebbe essere schiacciato, pizzicato, piegato ad angoli acuti, esposto al calore o danneggiato in alcun modo. Fate particolare attenzione al cavo di alimentazione all'altezza della spina e nel punto in cui esce dalla parte posteriore dell'apparecchio.

Il cordone di alimentazione dovrebbe essere scollegato quando l'apparecchiatura è inutilizzata per un periodo piuttosto lungo. L'apparecchiatura dovrebbe essere subito disattivata e data a personale qualificato quando:

- Il cavo di alimentazione o la spina sono stati danneggiati
- Oggetti sono caduti, o del liquido è stato versato nell'apparecchio
- L'apparecchiatura è stata esposta alla pioggia
- L'apparecchiatura non sembra funzionare in modo normale
- L'apparecchiatura è caduta, o è stata in qualche modo danneggiata

Posizionate l'unità su una superficie piana abbastanza resistente da sopportare il suo peso. Non posizionate la su un carrello che potrebbe ribaltarsi.

Indice

I numeri nel riquadro si riferiscono all'illustrazione dell'RT-02. Le lettere nel riquadro si riferiscono all'illustrazione dell'RR-T92.

Figura 1: Controlli e collegamenti	3
Figure 2: Controllo a distanza RR-T92	3
Figure 3: Schema di collegamento	4
Alcune Parole Sulla Rotel.....	26
Per Cominciare	26
Caratteristiche Essenziali	26
Sballaggio	26
Posizionamento	26
Collegamenti Sul Pannello Posteriore	26
Uscite RCA 14	26
Antenna AM Ad Anello 13	26
Antenna FM 12	26
Ingresso In Corrente Alternata 17	27
Attivazione a Scatto da 12V (TRIGGER 12V) 15	27
Presa Jack EXT REMOTE IN 16	27
Controlli Operativi di Base.....	27
Pulsante di Alimentazione 1 2	27
Sensore a Distanza 3	27
Display Pannello Anteriore 4	27
Pulsante Dimmer H	27
Pulsante Memory 7 B	27
Modalità di Regolazione a Seconda Del Paese Di Utilizzo	27
Controlli Base di Sintonia.....	28
Pulsante BAND 11 F	28
Controlli di Sintonizzazione (TUNING) 6 O	28
Tastiera Numerica: Preselezione delle Stazioni 5 A	28
Pulsante FREQUENCY DIRECT C	29
Pulsante di AUTO TUNING 8 J	29
Pulsante TUNE/PRESET 9 K	29
Pulsante PRESET SCAN 10 D	29
Pulsante FM MONO I	29
Ricezione di Trasmissioni RDS e RBDS	29
Pulsante DISPLAY L	30
Pulsante PTY E	30
Pulsante TP N	30
Pulsante TA M	30
Pulsante AF G	31
Caratteristiche	31

Alcune Parole Sulla Rotel

Una famiglia, la cui passione per la musica ha spinto a realizzare componenti hi-fi di elevata qualità, fondò la Rotel più di 40 anni fa. Attraverso gli anni la passione è rimasta intatta e l'obiettivo di offrire prodotti eccezionali agli audiofili e amanti della musica ad un costo non elevato è condiviso da tutti alla Rotel.

Gli ingegneri lavorano come una squadra affiatata, ascoltando e mettendo a punto ogni nuovo prodotto finché non raggiunge perfettamente i loro standard musicali. Sono liberi di scegliere i componenti in qualsiasi parte del mondo al fine di realizzare il prodotto nel miglior modo possibile. Così potrete trovare condensatori provenienti dall'Inghilterra e dalla Germania, semiconduttori dal Giappone o dagli Stati Uniti, mentre i trasformatori toroidali sono prodotti proprio dalla Rotel.

La fama di eccellenza della Rotel è stata guadagnata grazie a centinaia di ottime recensioni e riconoscimenti conferiti dai più autorevoli esperti del settore, che ascoltano la musica ogni giorno. I loro commenti confermano l'obiettivo della società - la ricerca di un apparecchio che sia musicale, affidabile e conveniente.

Vi ringraziamo per aver scelto questo prodotto augurandovi molte ore di piacevole intrattenimento musicale.

Per Cominciare

Grazie per aver acquistato il sintonizzatore stereo AM/FM Rotel RT-02. Il concetto Balanced Design della Rotel abbina un design circuitale avanzato, un'accurata selezione dei componenti e numerosi test di ascolto per una grande affidabilità nel tempo e un suono superiore.

Caratteristiche Essenziali

- Gamme di sintonia AM e FM
- Display fluorescente di facile lettura
- Sintonizzatore con 30 stazioni preselezionabili per memorizzare le vostre stazioni preferite
- Frequenza manuale e sintonizzazione preselezionata, sintonizzazione con ricerca automatica, scansione delle stazioni preselezionate e sintonizzazione diretta della frequenza
- Funzionalità RDS (Radio Data System) per l'Europa e RBDS (Radio Broadcast Data Service) per USA

- Interruttore mono/stereo
- Collegamenti a scatto da 12V per attivazione e disattivazione a distanza di preamplificatori e processori surround Rotel
- Comando a distanza con funzioni complete.

Sballaggio

Togliete accuratamente l'unità dal suo imballaggio. Cercate il comando a distanza e gli altri accessori. Conservate l'imballaggio e la scatola perché proteggerà l'RT-02 se traslocate o se avete bisogno di rispedirlo per l'assistenza.

Posizionamento

Collocate l'RT-02 su una superficie piana, solida e asciutta lontano dalla luce diretta del sole, da eccessivo calore, elevata umidità o forti vibrazioni.

L'RT-02 può produrre calore durante il suo funzionamento. Se installato in un cabinet, assicuratevi che ci sia una ventilazione sufficiente.

Assicuratevi che ci sia abbastanza spazio dietro l'RT-02 per un facile collegamento.

Collocate l'apparecchio vicino agli altri componenti nel vostro impianto audio/video e, se possibile, collocatelo su uno scaffale separato. Questo renderà più facile il cablaggio iniziale, il collegamento e qualsiasi cambiamento successivo dell'impianto. Minimizza anche potenziali interferenze o lo sviluppo di calore da parte di altri componenti. Non appoggiate altri oggetti (componenti o altre cose) al di sopra dell'RT-02. Non esponete l'apparecchio all'umidità perché ciò potrebbe danneggiare i delicati circuiti e causare pericoli.

Collegamenti Sul Pannello Posteriore

Il pannello posteriore dell'RT-02 è provvisto di connessioni per uscite audio di livello linea, uno per antenna FM, uno per antenna AM, una connessione per attivazione a scatto da 12V, una connessione per sensore ad infrarossi e l'ingresso in corrente alternata.

NOTA: Non collegate alla rete di alimentazione alcun componente di sistema fino a che non avete completato il collegamento dell'impianto e siete sicuri che tutte le connessioni tra i componenti siano correttamente eseguite.

Uscite RCA 14

Una coppia di uscite audio RCA invia un segnale a livello fisso dall'RT-02 al vostro preamplificatore, controller, o amplificatore integrato. Utilizzate un cavo standard audio RCA per collegare l'USCITA SINISTRA all'ingresso tuner del canale sinistro del vostro controller di sistema e l'USCITA DESTRA all'ingresso tuner del canale destro del vostro controller di sistema.

Antenna AM Ad Anello 13

L'RT-02 è dotato di un'antenna ad anello per ricevere segnali radio AM. Rimuovete questa antenna dalla scatola e posizionalatela vicino all'RT-02.

Collegate il filo a due conduttori da 300 ohm dall'antenna alla coppia di terminali a vite contrassegnati AM LOOP, attaccando un filo su ogni terminale. Non è importante quale filo colleghiate a quale terminale, ma assicuratevi che i collegamenti siano ben saldi e che i due fili non si tocchino.

Potreste avere la necessità di ruotare o diversamente riorientare l'antenna per trovare la migliore posizione.

NOTA: Per utilizzare un'antenna esterna collegate il suo filo a due conduttori da 300 ohm ai terminali G e AM al posto dell'antenna ad anello, solo dopo che un installatore professionista abbia installato il sistema di antenna in osservanza alle normative elettriche locali.

Antenna FM 12

L'RT-02 è dotato di un'antenna interna FM a forma di "T". Rimuovete questa antenna dalla scatola e collegate il suo connettore coassiale tipo F al connettore di antenna FM a 75 ohm posto sull'RT-02.

Per una migliore ricezione, srotolate l'antenna a "T". Ci sono degli occhielli a entrambe le estremità della "T" che consentono di fissare l'antenna a un muro se lo desiderate. Provate diversi posizionamenti per ottenere la migliore ricezione.

NOTA: Per utilizzare un'antenna esterna collegate il suo connettore coassiale da 75 ohm (o il filo a due connettori da 300 ohm e l'adattatore da 300 ohm a 75 ohm) al connettore FM da 75 ohm al posto dell'antenna interna a filo, solo dopo che un installatore professionista abbia installato il sistema di antenna in osservanza alle normative elettriche locali. Negli Stati Uniti dovete utilizzare il convertitore di tipo F fornito per collegare il cavo da 75 coassiale ohm all'ingresso dell'antenna.

Ingresso In Corrente Alternata 17

Il vostro RT-02 è già predisposto in fabbrica per il corretto voltaggio in corrente alternata per il paese in cui lo avete acquistato (o 115 volt AC/60Hz in USA o 230 volt AC/50 Hz in Europa). La configurazione del voltaggio è indicata su una targhetta adesiva sulla parte posteriore del vostro apparecchio.

Inserite il cavo fornito nella presa AC INPUT sulla parte posteriore dell'unità. Una volta che i collegamenti sul pannello posteriore sono completati inserite la spina del cavo di alimentazione nella presa a muro in corrente alternata o nella presa in corrente ausiliaria di un altro componente di sistema.

Attivazione a Scatto da 12V (TRIGGER 12V) 15

L'RT-02 può essere attivato da un segnale a scatto da 12V proveniente da un preamplificatore Rotel.

L'ingresso a scatto accetta qualsiasi segnale di comando (AC o DC) che va da 3 a 30 volt. Quando un cavo è collegato all'ingresso e il segnale a scatto è presente, il sintonizzatore è attivo. Quando il segnale a scatto viene interrotto, il sintonizzatore entra in modalità standby. La spia sul pannello anteriore rimane accesa, ma il display si oscura e l'apparecchio non funzionerà.

NOTA: Quando utilizzate la caratteristica a scatto 12V, lasciate il pulsante di alimentazione in posizione ON.

Presenza Jack EXT REMOTE IN 16

Questo mini-jack da 3.5mm riceve codici di comando da trasmettitori a raggi infrarossi di tipo standard (Xantech, ecc.) attraverso collegamenti via cavo. Questa caratteristica potrebbe dimostrarsi utile quando l'unità fosse installata in un mobile apposito e il sensore sul pannello anteriore fosse ostruito. Consultate il vostro rivenditore autorizzato Rotel per avere informazioni su questi ripetitori esterni e sul cablaggio corretto del jack da inserire nella presa del mini-jack.

Controlli Operativi di Base

Le spiegazioni seguenti vi aiuteranno a familiarizzare con le caratteristiche e i comandi. Quando una funzione è disponibile sia sul pannello anteriore sia sul comando a distanza, un numero (vedi l'illustrazione del pannello anteriore) e una lettera (vedi l'illustrazione del comando a distanza) vengono mostrate nelle istruzioni. Per esempio, per cambiare dalla banda AM a quella FM, potete sia premere il pulsante sul pannello anteriore **11** sia utilizzare il pulsante sul comando a distanza **F**. Quando appare solamente un termine di identificazione, quel comando è disponibile solamente sul pannello anteriore o sul comando a distanza, ma non su entrambi.

NOTA: I comandi utilizzati per sintonizzare le gamme AM/FM sono descritti nella successiva sezione di questo manuale.

Pulsante di Alimentazione 1 2

Il pulsante POWER (di alimentazione) è posizionato sul pannello anteriore dell'RT-02 e non viene duplicato sul comando a distanza.

Premete il pulsante all'interno per attivare l'unità. La spia sopra l'interruttore e il display del pannello anteriore si illumineranno. Premete nuovamente il pulsante (tornando nella posizione OUT), per disattivare l'unità.

NOTA: Se state utilizzando un'uscita attiva su un altro componente per alimentare l'RT-02, o se state utilizzando l'interruttore a scatto da 12V, dovrete lasciare l'interruttore POWER in posizione ON.

Sensore a Distanza 3

Questo sensore del pannello anteriore riceve i segnali a infrarossi dal comando a distanza. Assicuratevi di non ostruire accidentalmente questo sensore con cavi o accessori

Display Pannello Anteriore 4

Il grande display fluorescente posto al centro dell'RT-02 fornisce una serie di informazioni utilizzate nella ricezione AM/FM (come il display della frequenza della stazione, banda, memoria di prestazione, informazione RDS, ecc.).

Pulsante Dimmer H

Disponibile solo su comando a distanza, questo pulsante seleziona tre regolazioni di luminosità del display: NORMAL, DIM, OFF. Quando il display è spento, premendo qualsiasi pulsante o comando si ritornerà in modalità NORMAL. Premete il pulsante per scorrere attraverso le tre regolazioni.

NOTA: Quando il sintonizzatore è spento e poi riacceso, il display ritorna alla sua regolazione di luminosità normale.

Pulsante Memory 7 B

Il pulsante memory è utilizzato per confermare e memorizzare diverse regolazioni nella messa a punto e il funzionamento dell'RT-02, incluse le preselezioni delle stazioni del sintonizzatore. Il suo utilizzo è descritto in dettaglio nelle importanti sezioni che seguono.

Modalità di Regolazione a Seconda Del Paese Di Utilizzo

L'RT-02 ha due modalità preimpostate, una per gli Stati Uniti e una per l'Europa. Queste configurano l'unità per le differenze che esistono nei mercati locali tra cui gli intervalli di sintonia FM, gli intervalli di sintonia AM e le differenze negli standard RDS europei e quelli RDBS degli Stati Uniti. Il vostro apparecchio è stato configurato in fabbrica nella corretta modalità del paese in cui è stato acquistato.

Per selezionare la modalità preimpostata USA, tenete premuto i pulsanti POWER, MEMORY e 9 per cinque secondi. La parola LOADING apparirà sul display e l'unità si predisporrà nella configurazione USA.

Per selezionare la modalità preimpostata europea, tenete premuti i pulsanti POWER, MEMORY e 0 per cinque secondi. La parola LOADING apparirà sul display e l'unità si predisporrà nella configurazione europea.

Controlli Base di Sintonia

L'RT-02 è dotato di un sintonizzatore AM/FM a sintesi di frequenza digitale con funzione RDS o RBDS e preselezione di 30 stazioni. L'unità offre un'ampia gamma di tipi di sintonia. Ecco una panoramica dei tipi di sintonia (informazioni più dettagliate sono descritte nelle successive sezioni di questo manuale):

- La sintonia di frequenza manuale vi consente di spostarvi, avanti o indietro, alla frequenza della stazione successiva. Selezionate la modalità TUNE/PRESET su TUNE. Disattivate AUTOTUNING. Utilizzate i controlli TUNING per spostarvi nella sintonia.
- La sintonia di frequenza diretta vi consente di accedere alle cifre della frequenza della stazione desiderata. Premete il pulsante FREQUENCY DIRECT sul comando a distanza e componete le cifre utilizzando i pulsanti numerici.
- La sintonia con ricerca automatica di frequenza vi permette di spostarvi nella ricerca in avanti o indietro per trovare il successivo segnale di trasmissione. Selezionate la modalità TUNE/PRESET su TUNE. Attivate l'AUTOTUNING. Utilizzate i controlli TUNING per spostarvi in avanti o indietro nella ricerca.
- La sintonia delle stazioni preselezionate in memoria vi consente di accedere direttamente al numero di una stazione preselezionata in memoria. Digitate il numero della preselezione memorizzata utilizzando i pulsanti numerici.
- La sintonia a scansione delle stazioni preselezionate vi consente di esplorare attraverso le stazioni preselezionate in memoria. Premete il pulsante PRESET SCAN per iniziare la scansione.
- La sintonia RDS (Europa) o RBDS (USA) offre una serie di particolari caratteristiche di sintonia e ricerca basata su messaggi codificati con i segnali di trasmissione. Leggete la sezione RDS di questo manuale per informazioni più dettagliate.

NOTA: Tre tasti sul comando a distanza (ANT A/B, FM IF NARROW, e ANN ATT) non vengono utilizzati con il sintonizzatore RT-02.

Pulsante BAND **11** **F**

Il pulsante di banda BAND seleziona le gamme di frequenza AM o FM. Premete il pulsante per passare avanti e indietro fra AM e FM. Una spia corrispondente si illuminerà sulla parte sinistra del display del pannello anteriore per confermare la vostra scelta. La frequenza della stazione sintonizzata in quel momento apparirà.

Controlli di Sintonizzazione (TUNING) **6** **O**

Una coppia di pulsanti, etichettati < TUNING > sul pannello anteriore e < TUN/PRESET > sul comando a distanza, fungono da comandi di sintonizzazione principali per l'RT-02. Potete utilizzare sia il pannello anteriore sia il comando a distanza; la loro funzione è identica.

Questi controlli forniscono diverse funzioni di sintonia in relazione alla modalità di funzionamento:

Nella modalità di FREQUENCY TUNING, con l'AUTOTUNING disattivato premete un pulsante di sintonia per saltare manualmente alla successiva frequenza di stazione, senza considerare o meno se una stazione stia trasmettendo su quella frequenza. (Leggete le sezioni relative al pulsante TUNE/PRESET e pulsante AUTOTUNING per ulteriori dettagli sul cambiamento delle modalità di sintonia.)

Nella modalità FREQUENCY TUNING con l'AUTOTUNING attivato premete un pulsante di sintonia per fare partire l'AUTOTUNING. Il sintonizzatore incomincia automaticamente la scansione della frequenza, avanti e indietro, fin quando viene individuato il successivo segnale. Se questa non è la stazione desiderata, ripetete la procedura di sintonia automatica per trovare la stazione successiva. Le stazioni con segnale debole verranno saltate durante la sintonia automatica. Se non viene individuato alcun segnale che possa essere ricevuto, il sintonizzatore ritornerà all'ultima stazione precedentemente sintonizzata. (Leggete le sezioni relative al pulsante TUNE/PRESET e pulsante AUTOTUNING per ulteriori dettagli sul cambiamento delle modalità di sintonia.)

Nella modalità di SINTONIZZAZIONE PRESELEZIONATA (PRESET TUNING), premete il pulsante TUNING per saltare alla seguente stazione preselezionata in memoria. (Leggete la sezione relativa al pulsante TUNE/PRESET per ulteriori dettagli sul cambiamento delle modalità di sintonia.)

In modalità di ricerca RDS PTY, premete un pulsante TUNING per selezionare il tipo di programma desiderato dallo scrolling list sul display. Vedere la sezione sulla sintonizzazione RDS per maggiori dettagli. (Vedere la sezione del pulsante RDS PTY per maggiori informazioni).

NOTA: *Varie spie sul display del pannello anteriore aiutano nella sintonizzazione. Un ampio display mostra la frequenza sintonizzata e aumenta o diminuisce durante la sintonizzazione. Una spia della intensità del segnale indica la forza del segnale in ingresso. Una spia di sintonizzazione (TUNED) si illumina quando un segnale abbastanza forte viene ricevuto. Una spia ST si illumina quando viene ricevuto un segnale FM stereo. Inoltre, gli indicatori mostrano la modalità di sintonia attualmente selezionata.*

Tastiera Numerica: Preselezione delle Stazioni **5** **A**

L'RT-02 può memorizzare fino a 30 preselezioni per richiamare le stazioni in qualsiasi momento utilizzando la tastiera numerica. Queste preselezioni di stazioni possono essere utilizzate per qualsiasi combinazioni stazioni AM e FM.

L'RT-02 viene consegnato dalla fabbrica con una serie generica di preselezioni che possono o meno abbinarsi alle stazioni disponibili nella vostra zona. Per memorizzare una nuova preselezione di stazione:

1. Sintonizzate la stazione desiderata, o AM o FM.
2. Premete il pulsante MEMORY sul pannello anteriore. Una spia MEMORY si illuminerà per cinque secondi sul display del pannello anteriore.
3. Mentre la spia MEMORY sta lampeggiando, premete il numero di preselezione dove desiderate memorizzare la frequenza della stazione. Per esempio, per memorizzare una stazione come preselezione 3, premete il pulsante 3. Per memorizzare il preset 15, premete il pulsante 1 seguito dal pulsante 5.
4. Una frequenza precedentemente memorizzata viene cancellata dalla memoria quando una nuova frequenza viene memorizzata con lo stesso numero di preselezione.

Per sintonizzarsi su una stazione precedentemente memorizzata, premete il numero preselezionato sulla tastiera numerica. Per esempio, per memorizzare una stazione come preselezione 3, premete il pulsante 3. Per sintonizzare il preset 30, premete il pulsante 3 seguito dal pulsante 0 entro 5 secondi.

NOTA: I pulsanti numerici possono anche essere utilizzati per una sintonizzazione di accesso diretto **FREQUENCY DIRECT**.

Pulsante **FREQUENCY DIRECT** **C**

Se conoscete la frequenza della stazione desiderata, potete sintonizzarvi direttamente utilizzando il pulsante **FREQUENCY DIRECT** (solo sul comando a distanza) e la tastiera **NUMERICA**.

1. Premete il pulsante **FREQUENCY DIRECT** per cambiare la tastiera **NUMERICA** dalla modalità di preselezione della stazione ad Accesso Diretto (Direct Access). La frequenza della stazione sul display del pannello anteriore si trasformerà in una serie di barre, rappresentanti i numeri di frequenza di una stazione, con la prima barra che lampeggia.
2. Introducete la prima cifra della frequenza della stazione utilizzando la tastiera numerica. La cifra apparirà sul display di frequenza e la seconda barra lampeggerà. Introducete le rimanenti cifre della frequenza. Quando tutte le cifre sono state inserite, il sintonizzatore si sintonizzerà automaticamente sulla frequenza di quella stazione.

NOTA: Solo nella versione americana premendo 1 nella modalità **FM** si introdurrà 10 come i numeri sul display delle frequenze. Nella versione europea è necessario premere 1 e poi 0 per inoltrare il numero 10. Per le stazioni americane **FM**, premete solo un numero susseguente a un punto decimale come nel primo esempio. Per le stazioni **FM** europee, premete due cifre dopo il punto decimale come nel secondo esempio.

ESEMPI:

(USA FM) 87.50MHz premete: 8>7>5
 (CE FM) 87.50 MHz premete: 8>7>5>0
 (USA AM) 1610kHz premete: 1>6>1
 (CE AM) 1610kHz premete: 1>6>1>1

Se non viene introdotta entro 5 secondi, il sintonizzatore annullerà la modalità di sintonizzazione **FREQUENCY DIRECT** e ritornerà all'ultima stazione precedentemente sintonizzata.

Pulsante di **AUTO TUNING** **8 J**

Il pulsante **AUTO TUNING** passa fra la caratteristica di sintonia per la ricerca della frequenza e la sintonia di frequenza manuale. Quando utilizzate i comandi **TUNING** sul pannello anteriore o a distanza in modalità **AUTO TUNING**, il sintonizzatore comincerà automaticamente a passare attraverso le frequenze fino a che non viene ricevuto il successivo segnale di trasmissione. Le stazioni deboli verranno saltate durante questa sintonizzazione automatica. Se non viene recepito alcun segnale, il sintonizzatore ritornerà alla stazione precedentemente sintonizzata.

Per passare dalla modalità **FREQUENCY TUNING** e quella **AUTO TUNING**, premete il pulsante **AUTO TUNING**. Una spia **AUTO** apparirà sul display.

NOTA: Quando il pulsante **TUNE/PRESET** viene posto in modalità di sintonia **PRESET**, la modalità **AUTO TUNING** viene disattivata. Vedere la sezione successiva.

Pulsante **TUNE/PRESET** **9 K**

Il pulsante **TUNE/PRESET** alterna fra la modalità **FREQUENCY TUNING** (i comandi **TUNING** avanzano alla frequenza della stazione successiva) e la modalità **PRESET TUNING** (i comandi **TUNING** avanzano alla successiva preselezione di stazione memorizzata). Per passare attraverso le due modalità premete il pulsante **TUNE/PRESET**. Una spia **PRESET** sul display del pannello anteriore si illuminerà quando la modalità **PRESET** è attiva.

NOTA: La modalità **AUTO/TUNING** è disinserita quando il pulsante **TUNE/PRESET** è posto in modalità di sintonizzazione **PRESET**.

Pulsante **PRESET SCAN** **10 D**

Questo pulsante attiva una caratteristica di **PRESET SCANNING**. Quando premete il pulsante il sintonizzatore passerà automaticamente attraverso tutte le stazioni preselezionate in memoria, riproducendone ognuna per cinque secondi prima di passare alla seguente. Per arrestare la scelta sulla stazione preselezionata desiderata, premete nuovamente il pulsante.

NOTA: Se una stazione Preselezionata è sintonizzata nel momento in cui si preme il pulsante **AUTO PRESET**, la scannerizzazione inizierà con il numero successivo di preselezione e continuerà attraverso tutte le successive stazioni preselezionate. Se una stazione preselezionata non è sintonizzata al momento in cui viene premuto il pulsante, la scannerizzazione inizierà da **PRESET 1** e continuerà fino a **PRESET 30**.

Pulsante **FM MONO** **1**

Il pulsante **MONO FM** cambia la modalità **FM** dalla ricezione mono alla ricezione stereo. In modalità stereo si udirà un segnale stereo se la stazione sta trasmettendo un segnale stereo e c'è un'intensità di segnale sufficiente. Una spia stereo si illuminerà sul display del pannello anteriore. In modalità mono, si sentirà un segnale mono anche se la stazione sta trasmettendo un segnale stereo.

NOTA: Il passaggio in modalità mono può rappresentare un modo utile di migliorare la ricezione di segnali **FM** deboli e distanti. Per una ricezione mono limpida è necessaria una forza di segnale minore della ricezione stereo.

Ricezione di Trasmissioni **RDS** e **RBDS**

L'RT-02 è dotato di ricezione **RDS** (Radio Data Systems) per l'Europa e di **RBDS** (Radio Broadcast Data Service) per gli Stati Uniti. Questi sistemi di trasmissione forniscono ulteriori funzionalità alla ricezione **FM** trasmettendo un'informazione codificata insieme al segnale radio. Questo segnale viene decodificato da un sintonizzatore dotato di **RDS** o **RBDS** e può offrire una gamma di informazioni che comprendono:

1. Un display con il nome di identificazione della stazione (es.: **BBC1**)
2. Un display del contenuto del programma della stazione (es./ **ROCK** o **NOTIZIE**)
3. Trasmissioni di informazione sul traffico
4. Annunci o informazioni che scorrono su un display

Inoltre, RDS offre parecchie caratteristiche di ricerca avanzata che comprendono:

1. La capacità di ricercare una stazione con il contenuto del programma desiderato (PTY)
2. La capacità di ricercare l'informazione sul traffico (TP)
3. La capacità di ricercare automaticamente stazioni che trasmettono particolari informazioni sul traffico (TA).

La trasmissione RDS è stata ampiamente disponibile in molti mercati europei per anni. C'è un vasto numero di stazioni RDS e molti utenti avranno già familiarizzato con le sue caratteristiche e l'uso. Negli Stati Uniti, l'uso del sistema RBDS è più recente. Meno stazioni stanno trasmettendo segnali RBDS e le sue caratteristiche possono essere meno familiari a molti utenti. Consultate il vostro rivenditore autorizzato Rotel per maggiori informazioni sulle trasmissioni RDS e RBDS sul vostro mercato.

NOTA: Le caratteristiche RDS e RBDS dipendono totalmente dalla trasmittente che invia i segnali codificati correttamente. Pertanto, saranno disponibili solamente sui mercati dove l'RDS o RBDS vengono implementati abitualmente e dove le stazioni trasmettono questi segnali. Se non ci sono stazioni RD o RBDS, l'RT-02 funzionerà come un normale sintonizzatore radio.

NOTA: I servizi RDS e RBDS sono disponibili solo su trasmissioni FM. Le caratteristiche e i pulsanti descritti sotto sono operativi solamente in modalità FM.

Pulsante DISPLAY **L**

Ci sono cinque modalità di display quando la stazione sintonizzata sta trasmettendo informazione RDS e la spia RDS sul display del pannello anteriore è illuminata. Premete il pulsante del display per passare in sequenza le cinque modalità disponibili del display:

1. Display di FREQUENZA standard
2. Nome del SERVIZIO DEL PROGRAMMA. Queste sono di base le lettere del nome della stazione (come BBC1). Se la stazione non sta trasmettendo un segnale RDS, il display evidenzierà "NO NAME DATA".
3. TIPO DI PROGRAMMA. Questa è la descrizione del contenuto della stazione da un elenco di tipi di programma. (NEWS (notizie), CURRENT AFFAIRS (attualità), INFORMATION (informazioni), SPORT, EDUCATION (educazione), DRAMA (teatro), CULTURE (cultura), SCIENCE (scienza), VARIED (varie), POP MUSIC, ROCK MUSIC, EASY LISTENING MUSIC (musica di facile ascolto), LIGHT CLASSICAL (classica leggera), SERIOUS CLASSICAL (classica seria), OTHER MUSIC (altra musica), WEATHER (previsioni del tempo), FINANCE (finanza), CHILDREN'S PROGRAMS (programmi per bambini), SOCIAL AFFAIRS (affari sociali), RELIGION (religione), PHONE IN (chiamate di radioascoltatori), TRAVEL (viaggi), LEISURE (tempo libero), JAZZ MUSIC, COUNTRY MUSIC, NATIONAL MUSIC, OLDIES MUSIC, FOLK MUSIC e DOCUMENTARY (documentari).) Se la stazione in corso non sta trasmettendo un segnale RDS, il display mostrerà una spia PT intermittente.
4. OROLOGIO (TIME). Display dell'orario e della data trasmesso dalla stazione. Se la stazione non sta trasmettendo un segnale RDS, il display mostrerà una spia CT intermittente.
5. TESTO RADIO (RADIO TEXT). Altri messaggi di testo trasmessi dalla stazione. Se la stazione non sta trasmettendo un segnale RDS, il display mostrerà una spia RT intermittente.

Pulsante PTY **E**

La funzione di ricerca PTY vi permette di vagliare le trasmissioni disponibili per le stazioni RDS che trasmettono un particolare tipo di contenuto di programma.

1. Premete il pulsante PTY. Il tipo di contenuto del programma RDS apparirà sul display.
2. Se desiderate, passate a un diverso tipo di programma utilizzando i pulsanti TUNING UP/DOWN per scorrere l'elenco.
3. Premete il pulsante PTY una seconda volta entro 5 secondi. Il sintonizzatore cercherà di trovare una stazione RDS che trasmetta il tipo di programma selezionato. Se il pulsante non viene premuto entro 5 secondi dopo la selezione di un tipo di programma, la funzione PTY verrà annullata.
4. Se non viene trovata alcuna stazione per il tipo di contenuto desiderato, il sintonizzatore ritornerà all'ultima stazione precedentemente selezionata.
5. Annullate la funzione PTY premendo qualsiasi altro pulsante (eccetto DIMMER o FM MONO).

Pulsante TP **N**

Ricerca una stazione RDS che trasmetta programmi di informazione sul traffico:

1. Premete il pulsante TP. Il sintonizzatore cercherà di trovare una stazione RDS che trasmetta programmi sul traffico.
2. Se non viene trovata alcuna stazione, il sintonizzatore ritornerà alla stazione precedentemente sintonizzata.
3. Annullate la funzione TP premendo qualsiasi altro pulsante (eccetto DIMMER o FM MONO).

Pulsante TA **M**

Ricerca una stazione RDS che trasmetta programmi di informazione sul traffico:

1. Premete il pulsante TA. Il sintonizzatore cercherà di trovare una stazione RDS che trasmetta programmi sul traffico.
2. Se non viene trovata alcuna stazione, il sintonizzatore ritornerà alla stazione precedentemente sintonizzata.
3. Annullate la funzione TA premendo qualsiasi altro pulsante (eccetto DIMMER o FM MONO).

Pulsante AF

In alcuni casi, una stazione RDS è parte di una rete di stazioni che trasmettono la stessa programmazione (per esempio, BBC1 programmata nel Regno Unito è disponibile su parecchie stazioni diverse). Stazioni che trasmettono questa programmazione possono trasmettere un segnale di dati RDS fornendo al sintonizzatore una serie di frequenze alternate in cui questo programma è disponibile. Se questo elenco di dati è trasmesso, una spia AF apparirà sul DISPLAY.

Il pulsante AF viene utilizzato per scannerizzare le frequenze alternate per trovare un segnale più forte. Il pulsante è in funzione quando la spia AF è accesa.

1. Premete il pulsante AF. Il sintonizzatore esplorerà ognuna delle frequenze alternate per la stessa programmazione nell'elenco memorizzato e si sintonizzerà sul segnale più forte.
2. Se non viene localizzata alcuna stazione, il sintonizzatore ritornerà all'ultima stazione precedentemente sintonizzata.
3. Se la forza del segnale della nuova stazione è più debole, il sintonizzatore ritornerà alla stazione precedentemente sintonizzata.
4. Annullate la funzione AF premendo qualsiasi pulsante (eccetto DIMMER o FM MONO).

Caratteristiche

Sintonizzatore FM

Sensibilità utilizzabile:	14.2 dBf
Sensibilità di silenziamento 50 dB:	20.2 dBf (mono) 45.3 dBf (stereo)
Rapporto S/N (a 65 dBf):	73 dBf (mono) 70 dBf (stereo)
Distorsione armonica (a 65 dBf):	0.2% (mono) 0.3% (stereo)
Risposta in frequenza:	10 Hz - 15 kHz, ± 3 dB
Rapporto di cattura:	2.0 dB
Selettività di canale alternato:	47 dB (± 400 kHz)
Rapporto di risposta spuria:	90 dB
Rapporto di reiezione di immagine:	80 dB
Rapporto di reiezione IF:	80 dB
Rapporto di soppressione AM:	55 dB
Separazione stereo (100Hz/1kHz/10kHz):	40 dB / 45 dB / 35 dB
Livello di uscita:	1 V
Ingresso di antenna:	75 ohm non bilanciato

Sintonizzatore AM

Sensibilità utilizzabile:	500 μ V/m
Selettività:	25 dB
Distorsione armonica:	0.5%
Reiezione di immagine:	45 dB
Rapporto S/N:	40 dB
Livello di uscita:	500 mV
Ingresso di antenna:	Antenna ad anello

Generali

Assorbimento:	10 watt
Alimentazione:	
USA:	115 volt, 60 Hz
CE:	230 volt, 50 Hz
Peso:	3.9 kg
Misure (L x A x P):	435 x 72 x 319mm
Altezza pannello frontale (per montaggio a rack)	60mm

Tutte le caratteristiche sono accurate al momento della stampa. Rotel si riserva il diritto di apportare miglioramenti senza alcun preavviso.

Rotel e il logo Rotel HiFi sono marchi registrati di The Rotel Co. Ltd. Tokyo, Giappone.

RIESGO DE ELECTROCUCION: NO ABRIR.

Este símbolo es para alertar al usuario sobre la presencia de instrucciones importantes relacionadas con el funcionamiento y el mantenimiento (servicio) tanto en este manual como en la literatura que acompaña al producto.

PRECAUCION: PARA REDUCIR EL RIESGO DE RECIBIR UNA DESCARGA ELECTRICA, NO QUITAR LA CUBIERTA SUPERIOR. NO HAY COMPONENTES MANIPULABLES POR EL USUARIO EN EL INTERIOR DEL APARATO. CUALQUIER OPERACION DE MANTENIMIENTO DEBE SER LLEVADA A CABO POR PERSONAL CUALIFICADO.

Este símbolo es para alertar al usuario sobre la presencia de tensiones peligrosas no aisladas en el interior del aparato susceptibles de constituir un riesgo de electrocución.

ADVERTENCIA: Para reducir el riesgo de que se produzca un incendio o una descarga eléctrica, no exponga el RT-02 al agua o la humedad. No permita que ningún objeto extraño penetre en el interior del aparato. Si el aparato está expuesto a la humedad o algún objeto extraño penetra en su interior, desconecte inmediatamente el cable de alimentación de la red eléctrica. En caso de que fuera necesario, envíe el aparato a un especialista cualificado para su inspección y posterior reparación.

Lea todas las instrucciones del presente manual antes de conectar o hacer funcionar el RT-02. Conserve este manual cerca de usted para el caso de que necesite revisar las instrucciones de seguridad que se indican a continuación.

Tenga siempre en mente las advertencias y la información relativa a seguridad que figuran tanto en estas instrucciones como en el propio aparato. Siga al pie de letra todas las instrucciones relacionadas con el funcionamiento del mismo.

Limpie el exterior del RT-02 únicamente con una gamuza seca o un aspirador.

Mantenga siempre despejadas las ranuras destinadas a la ventilación del aparato. Por ejemplo, no coloque nunca el RT-02 sobre una cama, un sofá, una alfombra o una superficie similar que pueda bloquear las ranuras de ventilación. Si el RT-02 está ubicado en la estantería de una librería o un mueble, debe haber suficiente espacio a su alrededor y ventilación en el mueble para permitir una refrigeración adecuada.

Mantenga el RT-02 alejado de radiadores, estufas, cocinas o de cualquier otra instalación que produzca calor.

El RT-02 debe ser conectado únicamente a una fuente de alimentación del tipo y tensión especificados en su panel posterior.

Conecte el RT-02 a una toma de corriente eléctrica únicamente a través del cable de alimentación de dos clavijas polarizado suministrado de serie o un equivalente exacto del mismo. No modifique de ningún modo dicho cable. No intente desactivar los terminales destinados a la conexión a tierra o polarización. El cable debería ser conectado a una toma de corriente eléctrica de dos terminales que se adapten perfectamente a las clavijas del cable de alimentación del RT-02. No utilice ningún tipo de cable de extensión.

No coloque el cable de alimentación en lugares en que pueda ser aplastado, perforado, doblado en ángulos críticos, expuesto al calor o dañado de algún modo. Preste particular atención al punto de unión entre el cable y la toma de corriente y también a la ubicación de esta última en el panel posterior del aparato.

El cable de alimentación debería desconectarse de la red eléctrica cuando el aparato no vaya a ser utilizado durante un largo período de tiempo (por ejemplo durante las vacaciones de verano).

Desconecte inmediatamente el RT-02 y envíelo a un servicio técnico cualificado para su inspección/repelación si:

- El cable de alimentación o alguna clavija del mismo ha sido dañado.
- Han caído objetos o se ha derramado líquido en el interior del aparato.
- El aparato ha sido expuesto a la lluvia.
- El aparato muestra signos de funcionamiento inadecuado.
- El aparato ha sido golpeado o dañado de algún modo.

Coloque el RT-02 sobre una superficie fija y equilibrada que sea suficientemente resistente para soportar su peso. No coloque nunca el RT-02 en una carretilla móvil de la que pueda volcar.

Contenido

Los números encerrados en cajas hacen referencia a la ilustración del RT-02. Las letras encerradas en cajas hacen referencia a la ilustración del RR-T92.

1: Controles y Conexiones	3
2: Mando a Distancia RR-T92	3
3: Ejemplo de Conexionado	4
Acerca de Rotel	33
Para Empezar	33
Prestaciones Clave	33
Desembalaje	33
Colocación	33
Conexiones del Panel Posterior	33
Salidas RCA 14	33
Antena de Bucle Cerrado para AM 13	33
Antena de FM 12	34
Entrada de Corriente Eléctrica 17	34
Conexión para SEÑAL DE DISPARO de 12 V 15	34
Toma EXT REMOTE IN 16	34
Controles de Funcionamiento Básicos	34
Botón de Puesta en Marcha (POWER) 1 2	34
Sensor de Control Remoto 3	34
Visualizador de Funciones del Panel Frontal 4	34
Botón DIMMER H	34
Botón MEMORY 7 B	34
Ajuste de la Sintonía en Función del País	35
Controles de Sintonización Básicos	35
Botón BAND 11 F	35
Controles TUNING 6 O	35
Teclado NUMERICO: Emisoras Presintonizadas 5 A	36
Botón FREQUENCY DIRECT: Sintonización por Acceso Directo a la Frecuencia de la Emisora C	36
Botón de SINTONIZACION AUTOMATICA (AUTO TUNING) 8 J	36
Botón TUNE/PRESET 9 K	36
Botón de EXPLORACION DE EMISORAS PRESINTONIZADAS (PRESET SCAN) 10 D	36
Botón FM MONO 1	37
Recepción de Emisoras con RDS y RBDS..	37
Botón DISPLAY L	37
Botón PTY E	37
Botón TP N	38
Botón TA M	38
Botón AF G	38
Características Técnicas	38

Acerca de Rotel

Rotel fue fundada hace 40 años por una familia cuyo entusiasta interés por la música la condujo a diseñar y construir componentes de Alta Fidelidad sin ningún tipo de compromiso. Esta pasión ha permanecido inalterada durante todo este tiempo, hasta el punto de que el objetivo de los fundadores de la compañía -proporcionar productos de la máxima calidad a melómanos y audiófilos independientemente de cuales sean sus posibilidades económicas- es compartido por todos sus empleados.

Los ingenieros de Rotel trabajan como un equipo compacto, escuchando y llevando a cabo el ajuste fino de cada nuevo producto hasta que satisface de manera exacta los estándares de calidad musical para los que fue diseñado. Para lograrlo, disponen de la máxima libertad para escoger los mejores componentes allí donde se encuentren. Le sorprenderá agradablemente encontrar exquisitos condensadores procedentes del Reino Unido y Alemania o semiconductores de Japón o Estados Unidos, mientras que los transformadores toroidales de potencia son construidos en la propia factoría de Rotel.

Rotel se ha ganado a pulso, a través de cientos de artículos, bancos de pruebas y galardones avalados por los críticos especializados más respetados del mundo, una sólida reputación por la excelencia de sus productos. Los comentarios de estos profesionales que escuchan música cada día hacen posible que la compañía se reafirme en la validez de sus objetivos: la puesta a punto de componentes y equipos musicales, fiables y asequibles.

Le agradecemos que haya adquirido este producto y esperamos que le permita disfrutar de su música predilecta durante largos años.

Para Empezar

Gracias por haber adquirido el Sintonizador Estereofónico de AM/FM Rotel RT-02. El Concepto de Diseño Equilibrado exclusivo de Rotel combina placas de circuito impreso de diseño muy avanzado, una extensa evaluación de los componentes utilizados y numerosas pruebas de escucha para garantizar un sonido superior y una mayor fiabilidad a largo plazo.

Prestaciones Clave

- Capacidad de sintonización de emisoras de radio en AM y FM.
- Visualizador de funciones fluorescente claro y conciso.

- 30 preselecciones para memorizar sus emisoras favoritas.
- Sintonización manual y automática de emisoras, sintonización con búsqueda automática de emisoras, barrido de emisoras preseleccionadas y sintonización directa por introducción de la frecuencia.
- Funciones RDS (Radio Data System) para Europa y RBDS (Radio Broadcast Data Service) para Estados Unidos.
- Conmutación mono/estéreo
- Conexiones para señal de disparo de 12 V continuos para el arranque/apagado a distancia desde preamplificadores y procesadores de sonido envolvente de Rotel.
- Mando a distancia por rayos infrarrojos.

Desembalaje

Saque cuidadosamente el aparato de su embalaje. Busque el mando a distancia y otros accesorios. Instale las pilas suministradas con el aparato en el mando a distancia. Guarde el embalaje y la caja puesto que ambos servirán para proteger el RT-02 en caso de que tenga que transportarlo o necesite algún tipo de mantenimiento.

Colocación

Coloque el RT-02 sobre una superficie seca, sólida y equilibrada que esté alejada de la luz solar directa, del calor, de los excesos de humedad y de fuentes de vibración importantes.

El RT-02 puede generar algo de calor durante su funcionamiento normal. En caso de que lo instale en el interior de un mueble, asegúrese de que haya ventilación suficiente.

Asegúrese de que haya suficiente espacio detrás del RT-02 para facilitar la realización de las diferentes conexiones. Coloque el aparato cerca del resto de componentes de su equipo y, si es posible, ubíquelo sobre una estantería exclusivamente dedicada a él. Esto facilitará la colocación y conexión inicial de los cables, así como cualquier cambio que se realice con posterioridad en el sistema. También minimiza la posibilidad de que se produzcan interferencias o se capte calor procedente de otros componentes.

No coloque objetos pesados (componentes, libros, etc.) en la parte superior del RT-02. No deje que penetre ningún líquido en el interior del aparato ya que podrían dañarse los circuitos más sensibles del mismo.

Conexiones del Panel Posterior

El panel posterior del RT-02 incorpora conexiones para una salida de audio de nivel de línea, una antena de FM, una antena de AM, una conexión para SEÑAL DE DISPARO de 12 V, un sensor de rayos infrarrojos y una entrada de corriente alterna.

NOTA: No conecte ningún componente de su equipo a una toma de corriente eléctrica hasta que la configuración del mismo haya sido completada y esté seguro de que todas las conexiones entre componentes han sido realizadas adecuadamente.

Salidas RCA 14

Un par de salidas de audio en formato RCA envían una señal estereofónica de nivel fijo desde el RT-02 a su preamplificador, controlador de sistema o amplificador integrado. Utilice un cable de audio RCA estándar para conectar la toma LEFT OUTPUT a la entrada correspondiente al canal izquierdo para sintonizador de su controlador de sistema y la toma RIGHT OUTPUT a la entrada correspondiente al canal derecho para sintonizador de su controlador de sistema.

Antena de Bucle Cerrado para AM 13

El RT-02 incluye una antena de bucle cerrado para recibir señales de radio en AM. Saque esta antena del embalaje del aparato y sitúela cerca de este último.

Conecte el cable de dos conductores gemelos de 300 ohmios desde la antena de bucle cerrado al par de terminales de tipo tornillo designados por AM LOOP, fijando un cable a cada terminal. No importa el terminal al que se fije cada cable aunque sí el hecho de que las conexiones sean sólidas y los cables no se toquen.

Es posible que necesite girar o reorientar la antena para encontrar la posición de recepción óptima.

NOTA: Para utilizar una antena exterior, conecte su cable de dos conductores gemelos de 300 ohmios a los terminales G y AM en lugar de la antena de bucle cerrado una vez que un instalador especializado haya montado el sistema de antena en concordancia con las normas de seguridad eléctrica locales.

Antena de FM 12

El RT-02 se suministra de serie con una antena interior de FM en forma de "T". Quite dicha antena de la caja del embalaje y conecte su clavija coaxial en forma de "F" al conector para antena de 75 ohmios del RT-02. Para conseguir una mejor recepción, despliegue la antena en forma de "T". En caso de que así lo desee, los dos pequeños agujeros que hay en los extremos de la "T" le permitirán fijar la antena a una pared. Experimente con diferentes posiciones hasta conseguir la mejor recepción.

NOTA: Para utilizar una antena exterior, conecte su cable de 75 ohmios al conector de 75 ohmios en lugar de la antena interior una vez que un instalador especializado haya montado el sistema de antena en concordancia con las normas de seguridad eléctrica locales. En Estados Unidos, necesitará utilizar el convertidor en forma de "F" suministrado con el RT-02 para conectar el cable coaxial de 75 ohmios a la entrada de antena.

Entrada de Corriente Eléctrica 17

Su RT-02 está configurado en fábrica para que funcione con la tensión de red correspondiente al país en que usted lo haya comprado (115 voltios de corriente alterna a 60 Hz en Estados Unidos y 230 voltios de corriente alterna a 50 Hz en Europa). Dicha configuración está indicada en el panel posterior del aparato. Asegúrese de que el RT-02 esté adecuadamente configurado para su red eléctrica local.

Conecte el cable de alimentación suministrado de serie en el receptáculo AC INPUT situado en el panel posterior del RT-02. Una vez que el resto de conexiones del panel posterior hayan sido completadas, inserte el cable de alimentación en una toma de corriente alterna de una de las paredes de su casa o en una toma conmutada del panel posterior de otro componente de su equipo.

Conexión para SEÑAL DE DISPARO de 12 V 15

El RT-02 puede ser activado por una señal de disparo de 12 voltios continuos procedente de un preamplificador Rotel.

La entrada para señal de disparo acepta cualquier señal de control (tanto si es continua como alterna) de valor comprendido entre 3 y 30 voltios. Cuando se conecta un cable a la entrada y hay una señal de disparo presente, el sintonizador se activa. Cuando la señal de

disparo es interrumpida, el sintonizador se sitúa en su posición de espera ("standby"). El indicador luminoso del panel frontal permanece activado pero el visualizador de funciones se oscurece y el aparato no funcionará.

NOTA: Cuando utilice la función de Disparo con señal de 12 V, deje el botón POWER en la posición ON.

Toma EXT REMOTE IN 16

Esta minitoma de 3'5 mm recibe códigos de control por cable procedentes de sistemas de gestión por infrarrojos estandarizados por la industria (Xantech, etc.). Esta prestación podría resultar muy útil cuando el aparato estuviese instalado en el interior de un mueble y por tanto el sensor de rayos infrarrojos del panel frontal estuviera bloqueado. Consulte a su distribuidor autorizado de productos Rotel para que le informe acerca de estos repetidores externos de rayos infrarrojos y sobre el cableado adecuado para montar un conector que se adapte a la mencionada minitoma.

Controles de Funcionamiento Básicos

Las explicaciones que siguen le ayudarán a familiarizarse con las funciones y controles del RT-02. Cuando una función está disponible tanto en el panel frontal como en el mando a distancia, se muestra un número (ver ilustración del panel frontal) y una letra (ver ilustración del mando a distancia) en las instrucciones. Por ejemplo, para cambiar de la banda de AM a la de FM, usted puede tanto pulsar el botón 11 del panel frontal como el botón F del mando a distancia. Cuando solamente aparece un identificador, significa que el correspondiente control está disponible únicamente en el panel frontal o el mando a distancia pero no en ambos.

NOTA: Los controles utilizados para la sintonización del receptor de AM/FM se describen en las siguientes secciones de presente manual.

Botón de Puesta en Marcha (POWER) 1 2

El botón POWER está ubicado en el panel frontal del RT-02 y no está duplicado en el mando a distancia.

Púselo para poner en marcha el aparato. Tanto el indicador luminoso situado encima del conmutador como el visualizador de funciones del panel frontal se activarán. Pulse de nuevo el botón para desactivar el aparato.

NOTA: Si está utilizando una toma de corriente conmutada de otro componente para poner en marcha el RT-02 o si está empleando el circuito de disparo de señal de 12 V, debería dejar el conmutador POWER en la posición ON.

Sensor de Control Remoto 3

Este sensor del panel frontal recibe señales de infrarrojos procedentes del mando a distancia. Asegúrese de no bloquear accidentalmente este sensor con cables o accesorios.

Visualizador de Funciones del Panel Frontal 4

El gran visualizador de funciones fluorescente situado en la parte central del RT-02 suministra información de estado correspondiente al funcionamiento del receptor de AM/FM (visualización de la frecuencia de la emisora, banda de frecuencias, memoria preseleccionada, información RDS, etc.).

Botón DIMMER H

Disponible únicamente en el mando a distancia, este botón selecciona tres niveles de brillo para el visualizador de funciones: NORMAL, DIM o OFF. Cuando el visualizador de funciones esté desactivado (posición OFF), la pulsación de cualquier botón o control hará que el aparato regrese al modo NORMAL. Pulse el botón para conmutar cíclicamente entre los tres ajustes disponibles.

NOTA: Cuando el sintonizador es desactivado y a continuación se vuelve a activar, el visualizador de funciones regresa a su modo normal.

Botón MEMORY 7 B

El botón MEMORY es utilizado para confirmar y memorizar varios ajustes durante la puesta a punto inicial y el funcionamiento del RT-02, incluyendo la preselección de emisoras. Su uso se describe con detalle en las secciones que siguen.

Ajuste de la Sintonía en Función del País

El RT-02 tiene dos modos de funcionamiento por defecto, uno para Estados Unidos y uno para Europa. Dichos modos configuran el aparato para que se adapte a las diferencias existentes en mercados locales, como por ejemplo los intervalos de sintonía en FM y AM y las diferencias entre los estándares RDS (europeo) y RBDS (estadounidense). Su aparato ha sido configurado en fábrica para que se adapte al modo correcto correspondiente al país en el que haya sido adquirido.

Para conmutar al modo por defecto para Estados Unidos, pulse y mantenga pulsados los botones POWER, MEMORY y 9 durante 5 segundos. La palabra LOADING aparecerá en el visualizador de funciones y el aparato se pondrá en marcha según la configuración estadounidense.

Para conmutar al modo por defecto para Europa, pulse y mantenga pulsados los botones POWER, MEMORY y 0 durante 5 segundos. La palabra LOADING aparecerá en el visualizador de funciones y el aparato se pondrá en marcha según la configuración europea.

Controles de Sintonización Básicos

El RT-02 incluye un sintonizador de AM/FM por sintonización digital con capacidad RDS o RBDS y memorización de hasta 30 emisoras. El aparato ofrece un amplio rango de opciones de sintonización, que se repasan a continuación (se proporciona información detallada sobre las mismas en las siguientes secciones del presente manual):

- **La sintonización manual de la frecuencia** le permite a usted aumentar o disminuir el valor de la frecuencia hasta que encuentre una emisora. Sitúe el modo TUNE/PRESET en TUNE. Desactive la sintonización automática (AUTO TUNING). Utilice los controles TUNING para incrementar/disminuir la frecuencia de la emisora.
- **La sintonización directa de la frecuencia** le permite introducir los dígitos correspondientes a la frecuencia de la emisora deseada. Pulse el botón FREQUENCY DIRECT del mando a distancia e introduzca los dígitos utilizando el teclado NUMERICO.

- **La sintonización por búsqueda automática de la frecuencia de la emisora** le permite a usted buscar hacia arriba o hacia abajo en el dominio de la frecuencia para encontrar la siguiente emisora válida. Sitúe el modo TUNE/PRESET en TUNE. Active la sintonización automática (AUTO TUNING). Utilice los controles TUNING para incrementar/disminuir la frecuencia de la emisora.
- **La sintonización de emisoras almacenadas en memoria** le permite introducir directamente el número de una emisora presintonizada almacenada en memoria. Introduzca el número de la emisora presintonizada utilizando el teclado NUMERICO.
- **La sintonización mediante barrido de las emisoras presintonizadas** le permite a usted explorar en sentido ascendente/descendente las emisoras preseleccionadas. Pulse el botón PRESET SCAN para iniciar la exploración.
- **El RDS (Europa) o RBDS (Estados Unidos)** proporciona un amplio abanico de funciones de sintonización y búsqueda basado en códigos de datos insertados en la señal de FM. Diríjase a la sección "RDS" de este manual para obtener información detallada al respecto.

NOTA: Hay tres botones del mando a distancia (ANT A/B, FM IF NARROW y ANN ATT) que no se utilizan con el sintonizador RT-02.

Botón BAND

El botón BAND selecciona la posición del sintonizador en el modo de AM o FM. Púlselo para conmutar alternativamente entre uno y otro. Un indicador luminoso específico situado en la parte izquierda del visualizador de funciones del panel frontal se activará para confirmar su elección, mostrándose a continuación la frecuencia de la emisora seleccionada por usted.

Controles TUNING

Un par de botones, denominados < TUNING > en el panel frontal y < TUN/PRESET > en el mando a distancia, se encargan de llevar a cabo las funciones de sintonización principales del RT-02. Puede utilizar tanto los del panel frontal como los del mando a distancia ya que su función es idéntica.

Estos controles permiten acceder a diferentes funciones de sintonía dependiendo del modo de funcionamiento seleccionado:

En el modo de SINTONIZACION DE FRECUENCIA ("FREQUENCY TUNING") con la función de SINTONIZACION AUTOMATICA ("AUTO TUNING") desactivada, pulse un botón TUNING para saltar de forma manual a la frecuencia de la emisora siguiente independientemente de que en la misma se esté retransmitiendo o no un programa (diríjase a las secciones en las que se trata los botones TUNE/PRESET y AUTO TUNING para obtener más detalles sobre el cambio de los modos de sintonización).

En el modo de SINTONIZACION DE FRECUENCIA ("FREQUENCY TUNING") con la función de SINTONIZACION AUTOMATICA ("AUTO TUNING") activada, pulse un botón TUNING para iniciar la sintonización automática. El sintonizador iniciará automáticamente la exploración de frecuencias en sentido ascendente o descendente hasta que detecte la siguiente emisora disponible. En caso de que la misma no sea la emisora buscada, repita el procedimiento de sintonización automática hasta encontrarla. Durante la sintonización automática, las emisoras débiles serán ignoradas. En caso de que no se detecte ninguna señal útil, el sintonizador regresará a la última emisora sintonizada (diríjase a las secciones en las que se tratan los botones TUNE/PRESET y AUTO TUNING para obtener más detalles sobre el cambio de los modos de sintonización).

En el modo SINTONIZACION DE EMISORAS PRESELECCIONADAS ("PRESET TUNING"), pulse un botón TUNING para saltar a la siguiente emisora preseleccionada (diríjase a las secciones en las que se trata el botón TUNE/PRESET para obtener más detalles sobre el cambio de los modos de sintonización).

En el modo de búsqueda PTY del RDS, pulse un botón TUNING para seleccionar el tipo de programa deseado de la lista que se desplaza a través del visualizador de funciones. Para más detalles, diríjase a la sección de sintonización RDS y a la subsección que hace referencia al botón PTY.

NOTA: Varias indicaciones que aparecen en el panel frontal le asisten durante el proceso de sintonización. Una visualización de gran tamaño muestra la frecuencia sintonizada, que aumenta o disminuye durante la sintonización. Un indicador de intensidad de señal muestra la "fuerza" de la señal entrante (es decir la que es captada por la antena). Un indicador luminoso TUNED se activa cuando una señal lo suficientemente intensa es recibida. Un indicador luminoso ST se activa cuando se recibe una señal estereofónica de FM (frecuencia modulada). Se dispone además de otros indicadores que muestran el modo de sintonización seleccionado en cada momento.

Teclado NUMERICO: Emisoras Presintonizadas **5 A**

El RT-02 puede almacenar hasta 30 emisoras para recuperarlas en cualquier momento con ayuda del teclado NUMERICO. Estas preselecciones pueden ser utilizadas para memorizar cualquier combinación de emisoras de AM y FM.

El RT-02 es suministrado de fábrica con un conjunto de emisoras genéricas presintonizadas que pueden o no coincidir con emisoras disponibles en su área de residencia. Para memorizar una nueva emisora:

1. Sintonice la emisora deseada, sea de AM o de FM.
2. Pulse el botón MEMORY del panel frontal. Un indicador luminoso MEMORY parpadeará en el visualizador de funciones del panel frontal.
3. Mientras el indicador MEMORY esté parpadearando, pulse el número de la preselección en la que usted desea almacenar la frecuencia de la emisora sintonizada. Por ejemplo, para memorizar la emisora como preselección 3 pulse el botón 3. Para memorizar la preselección 15, pulse el botón 1 seguido del 5.
4. Cuando se memoriza una nueva frecuencia en una determinada preselección, la emisora previamente almacenada en la misma es automáticamente borrada.

Para sintonizar una emisora previamente memorizada, basta con que pulse el correspondiente número de preselección utilizando los botones del teclado NUMERICO. Por ejemplo, para sintonizar la preselección 3 pulse el botón 3. Para sintonizar la preselección 30 pulse el botón 3 y a continuación pulse el botón 0 antes de que transcurran 5 segundos.

NOTA: Los botones del teclado NUMERICO también pueden ser utilizados para la sintonización por INTRODUCCION DIRECTA DE LA FRECUENCIA DE LA EMISORA ("FREQUENCY TUNING").

Botón FREQUENCY DIRECT: Sintonización por Acceso Directo a la Frecuencia de la Emisora **C**

Si usted ya conoce la frecuencia de la emisora deseada, puede sintonizarla directamente utilizando el botón FREQUENCY DIRECT (disponible sólo en el mando a distancia) y los botones del teclado NUMERICO.

1. Pulse el botón FREQUENCY DIRECT para cambiar los botones del teclado NUMERICO desde el modo de preselección de emisoras al de acceso directo. La visualización de frecuencia presente en el visualizador de funciones del panel frontal se convertirá en una serie de barras, con la primera de ellas parpadeando, que representan los dígitos de la frecuencia de una emisora.
2. Introduzca el primer dígito correspondiente a la frecuencia de la emisora utilizando el teclado NUMERICO. El dígito aparecerá en la visualización de frecuencia y la segunda barra parpadeará. Introduzca los restantes dígitos de la frecuencia. Cuando todos los números hayan sido introducidos, el sintonizador sintonizará automáticamente la emisora correspondiente a la frecuencia visualizada.

NOTA: En la versión destinada al mercado estadounidense, la pulsación de 1 en el modo FM hará que se introduzca un 10 en la visualización de frecuencia. En la versión europea es necesario pulsar un 1 y un 0 para introducir un 10. Para las emisoras de FM estadounidenses, pulse solamente un dígito después del punto decimal tal y como se muestra en el primer ejemplo que sigue. Para las emisoras de FM europeas, pulse dos dígitos después del punto decimal tal y como se muestra en el segundo ejemplo.

EJEMPLOS:

(FM EE.UU.) 87'50 MHz	Pulse: 8>7>5
(FM Europa) 87'50 MHz	Pulse: 8>7>5>0
(AM EE.UU.) 1610 kHz	Pulse: 1>6>1
(AM Europa) 1611 kHz	Pulse: 1>6>1>1

En caso de que no se introduzca ninguna frecuencia en un intervalo de 5 segundos, el sintonizador cancelará el modo de sintonización por ACCESO DIRECTO A LA FRECUENCIA DE LA EMISORA y regresará a la última emisora sintonizada.

Botón de SINTONIZACION AUTOMATICA (AUTO TUNING) **8 J**

El botón AUTO TUNING conmuta entre la función de sintonización por búsqueda de frecuencia y la sintonización manual de frecuencia. Cuando se utilizan los controles TUNING del panel frontal o el mando a distancia en el modo AUTO TUNING, el sintonizador empezará automáticamente a explorar frecuencias en sentido ascendente o descendente hasta que detecte la siguiente emisora útil. Si dicha emisora no es la deseada, utilice de nuevo

los controles TUNING para buscar la siguiente emisora. Las emisoras débiles serán ignoradas durante el proceso de sintonización automática. En caso de que no se detecte ninguna señal con la intensidad suficiente, el sintonizador regresará a la última emisora sintonizada.

Para conmutar entre los modos FREQUENCY TUNING y AUTO TUNING, pulse el botón AUTO TUNING. Aparecerá una indicación AUTO en el visualizador de funciones para confirmarlo.

NOTA: El modo AUTO TUNING es desactivado cuando el botón TUNE/PRESET es situado en el modo de sintonización PRE-SET. Diríjase a la siguiente sección para más detalles.

Botón TUNE/PRESET **9 K**

El botón TUNE/PRESET conmuta entre los modos FREQUENCY TUNING (los controles TUNING avanzan hacia la frecuencia correspondiente a la siguiente emisora) y PRESET TUNING (los controles TUNING avanzan hacia la siguiente emisora presintonizada). Para conmutar entre los dos modos, pulse el botón TUNE/PRESET. Cuando el modo PRESET esté activado, aparecerá una indicación luminosa en el visualizador de funciones del panel frontal para confirmarlo.

NOTA: El modo AUTO TUNING es desactivado cuando el botón TUNE/PRESET es situado en el modo de sintonización PRE-SET.

Botón de EXPLORACION DE EMISORAS PRESINTONIZADAS (PRESET SCAN) **10 D**

Este botón activa una función de barrido de emisoras presintonizadas. Cuando usted pulse dicho botón, el sintonizador realizará automáticamente un barrido de todas las emisoras memorizadas, reproduciendo cada una de ellas durante cinco segundos antes de pasar a la siguiente. Para detener la exploración de emisoras en la emisora preseleccionada que desee escuchar, pulse de nuevo el mencionado botón.

NOTA: Si una emisora PRESINTONIZADA está seleccionada en el momento de pulsar el botón PRESET SCAN, la exploración comenzará con el número de presintonía inmediatamente superior y continuará a lo largo de todas las emisoras presintonizadas, deteniéndose en la presintonía inicial. Si no se ha sintonizado ninguna emisora presintonizada cuando el mencionado botón es pulsado, la exploración comenzará en la PRESINTONIA 1 y finalizará en la PRESINTONIA 30.

Botón FM MONO **I**

El botón FM MONO cambia la recepción de señales en FM de estéreo a mono. En el modo estereofónico, una señal estereofónica será oída si la emisora está difundiendo una señal estereofónica y si la misma posee la suficiente intensidad. Para confirmarlo, se activará el indicador luminoso "stereo" en el visualizador de funciones del panel frontal. En el modo monofónico, se oirá una señal monofónica incluso si la emisora está difundiendo una señal estereofónica.

NOTA: La conmutación de estéreo a mono puede ser una forma útil de mejorar la recepción de señales de FM débiles o distantes puesto que para obtener una recepción limpia en mono se necesita menos intensidad de señal que en estéreo.

Recepción de Emisoras con RDS y RBDS

El Rotel RT-02 está equipado con la función RDS ("Radio Data System"/"Sistema de Datos Radiofónicos") para Europa y la función RBDS ("Radio Broadcast Data Service"/"Servicio de Datos Radiofónicos") para Estados Unidos. Estos sistemas de radiodifusión proporcionan una funcionalidad adicional a la recepción de radio en FM mediante la transmisión de información codificada junto con la señal de radio. Esta señal es decodificada por un receptor equipado con los correspondientes circuitos RDS o RBDS y puede proporcionar una extensa gama de prestaciones entre las que se incluyen las siguientes:

1. Una visualización del nombre de identificación de la emisora (por ejemplo BBC1).
2. Una visualización del contenido de la programación de la emisora (por ejemplo ROCK o NOTICIAS).
3. Emisiones en las que se informa acerca del estado del tráfico.
4. Una visualización de texto relacionado con información o anuncios que se desplaza a través de la pantalla.

Además, el RDS proporciona varias opciones de búsqueda avanzadas entre las que se encuentran las siguientes:

1. La capacidad para buscar una emisora que contenga una programación determinada (PTY).
2. La capacidad de buscar información relacionada con el estado del tráfico (TP).

3. La capacidad de buscar automáticamente emisoras que estén difundiendo anuncios especiales relacionados con el estado del tráfico (TA).

La radiodifusión con RDS está ya ampliamente disponible en muchos mercados europeos desde hace bastantes años. Hay un gran número de emisoras que operan con dicho sistema, hasta el punto de que la inmensa mayoría de usuarios se familiarizarán rápidamente con sus funciones. En Estados Unidos, la implementación del sistema RBDS es más reciente. En la actualidad, sólo unas pocas emisoras difunden señales RBDS, por lo que es posible que las funciones asociadas al mismo sean menos familiares para muchos usuarios. Consulte a su distribuidor autorizado de productos Rotel para obtener más información sobre el estado de la radiodifusión de señales de radio con RDS o RBDS en su país.

NOTA: Las funciones del RDS y el RBDS dependen por completo de la emisora que envía las señales adecuadamente codificadas. En consecuencia, solamente estarán disponibles en países en los que el RDS o el RBDS esté ya implementado y en los que las emisoras de radio difundan estas señales de datos. Si no hay emisoras RDS o RBDS, el RT-02 funcionará como un receptor de radio convencional.

NOTA: Los servicios RDS y RBDS solamente están disponibles en la banda de FM. Por tanto, las funciones y botones que se describen a continuación sólo son operativos en el modo FM.

Botón DISPLAY **L**

Se dispone de cinco opciones de visualización cuando la emisora seleccionada en ese momento está difundiendo información RDS y el indicador luminoso RDS del visualizador de funciones del panel frontal está activado. Pulse el botón DISPLAY para saltar secuencialmente a través de las cinco opciones de visualización disponibles:

1. Visualización de FRECUENCIA estándar.
2. Nombre del SERVICIO DE PROGRAMA ("PROGRAM SERVICE"). Por lo general suele corresponder a las letras con que se designa a una determinada emisora (por ejemplo BBC1). Si la emisora seleccionada en ese momento no está difundiendo una señal RDS, el visualizador de funciones mostrará una indicación PS parpadeante.
3. TIPO DE PROGRAMA ("PROGRAM TYPE"). Es una descripción del contenido de la emisora a partir de una lista estandarizada de tipos de programa (por ejemplo:

NOTICIAS, TEMAS DE ACTUALIDAD, INFORMACION, DEPORTES, EDUCACION, DRAMA, CULTURA, CIENCIA, MUSICA VARIADA, MUSICA POP, MUSICA ROCK, MUSICA AMBIENTAL, MUSICA CLASICA LIGERA, MUSICA CLASICA SERIA, OTROS TIPOS DE MUSICA, TIEMPO, FINANZAS, PROGRAMAS PARA NIÑOS, ASUNTOS SOCIALES, RELIGION, CONVERSACIONES TELEFONICAS, VIAJES, OCIO, MUSICA JAZZ, MUSICA COUNTRY, MUSICA NACIONAL, MUSICA RETRO, MUSICA FOLK y DOCUMENTALES). En caso de que la emisora seleccionada no esté difundiendo una señal RDS, el visualizador de funciones mostrará una indicación PT parpadeante.

4. TIEMPO ("CLOCK TIME"). Se trata de una visualización de tiempo y fecha difundida por la emisora. Si la emisora seleccionada no está difundiendo una señal RDS, el visualizador de funciones mostrará una indicación CT parpadeante.
5. RADIOTEXTO ("RADIO TEXT"). Son mensajes de texto adicionales difundidos por la emisora que se desplazan a través de la pantalla de visualización. Si la emisora seleccionada no está difundiendo una señal RDS, el visualizador de funciones mostrará una indicación RT parpadeante.

Botón PTY **E**

La función de búsqueda PTY le permite a usted explorar las emisiones disponibles para buscar emisoras RDS que emitan un tipo de programa con un contenido particular.

1. Pulse el botón PTY. El tipo de contenido del programa RDS seleccionado aparecerá en el visualizador de funciones.
2. Si lo desea, cambie a un TIPO DE PROGRAMA diferente utilizando los botones TUNING para desplazarse a través de la lista.
3. Pulse una segunda vez, dentro de un intervalo de 5 segundos, el botón PTY. El sintonizador intentará encontrar una emisora RDS que esté difundiendo el tipo de programa seleccionado. Si el botón no es pulsado dentro de un intervalo de 5 segundos inmediatamente después de seleccionar un tipo de programa, la función PTY será cancelada.
4. Si no se localiza ninguna emisora para el tipo de contenido deseado, el sintonizador regresará a la última emisora sintonizada.
5. Cancele la función PTY pulsando cualquier otro botón (excepto DIMMER y FM MONO).

Botón TP N

Busca una emisora RDS que esté difundiendo información sobre el estado del tráfico:

1. Pulse el botón TP. El sintonizador intentará encontrar una emisora RDS que esté difundiendo información sobre el estado del tráfico.
2. Si no se localiza ninguna emisora, el sintonizador regresará a la última emisora sintonizada.
3. Cancele la función TP pulsando cualquier otro botón (excepto DIMMER y FM MONO).

Botón TA M

Busca una emisora RDS que esté difundiendo anuncios especiales relacionados con el estado del tráfico:

1. Pulse el botón TA. El sintonizador intentará encontrar una emisora RDS que esté difundiendo anuncios especiales relacionados con el estado del tráfico.
2. Si no se localiza ninguna emisora, el sintonizador regresará a la última emisora sintonizada.
3. Cancele la función TA pulsando cualquier otro botón (excepto DIMMER y FM MONO).

Botón AF G

En algunos casos, una emisora RDS es parte de una red de emisoras que difunden la misma programación (por ejemplo, la programación de la BBC1 para el Reino Unido puede estar disponible en varias frecuencias diferentes). Las emisoras que difunden esta programación pueden transmitir una señal de datos RDS que suministre al sintonizador una lista de frecuencias alternativas en las que dicha programación esté disponible. En el caso de que esta lista de datos sea transmitida, aparecerá un indicador AF en el visualizador de funciones.

El botón AF es utilizado para explorar las frecuencias alternativas con el fin de encontrar una señal más intensa. Dicho botón sólo es operativo cuando el indicador luminoso AF está activado.

1. Pulse el botón AF. El sintonizador explorará cada una de las frecuencias alternativas correspondientes al mismo programa presentes en la lista memorizada y sintonizará la que posea la señal más intensa.
2. En caso de que no se localice ninguna emisora, el sintonizador regresará a la última emisora sintonizada.

3. En caso de que la intensidad de la señal correspondiente a la nueva emisora sea más débil, el sintonizador regresará a la emisora previamente sintonizada.
4. Cancele la función AF pulsando cualquier botón (excepto DIMMER y FM MONO).

Características Técnicas

Sintonizador de FM

Sensibilidad Util:	14'2 dBf
Sensibilidad para una Relación Señal/Ruido de 50 dB:	20'2 dBf (mono) 45'3 dBf (estéreo)
Relación Señal/Ruido (a 65 dBf):	73 dB (mono) 70 dB (estéreo)
Distorsión Armónica (a 65 dBf):	0'2% (mono) 0'3% (estéreo)
Respuesta en Frecuencia:	10-15.000 Hz, ± 3 dB
Relación de Captura:	2 dB
Selectividad de Canal Alterno:	47 dB (± 400 kHz)
Nivel de Rechazo de las Señales Espúreas:	90 dB
Nivel de Rechazo de la Frecuencia Imagen:	80 dB
Nivel de Rechazo de la Frecuencia Intermedia (IF):	80 dB
Nivel de Supresión de las Señales de AM:	55 dB
Separación Estéreo (100 Hz/1 kHz/10 kHz):	40 dB/45 dB/35 dB
Nivel de Salida:	1 V
Entrada de Antena:	75 ohmios no balanceada

Sintonizador de AM

Sensibilidad Util:	500 μ V/m
Selectividad:	25 dB
Distorsión Armónica:	0'5%
Nivel de Rechazo de la Frecuencia Imagen:	45 dB
Relación Señal/Ruido:	40 dB
Nivel de Salida:	500 mV
Entrada de Antena:	Antena de Bucle Cerrado

General

Consumo:	10 vatios
Alimentación:	115 voltios/60 Hz (EE.UU.) 230 voltios/50 Hz (Europa)
Peso:	3'9 kg
Dimensiones (An x Al x Pr):	435x72x319 mm
Altura del Panel Frontal (para montaje en rack)	60 mm

Todas las especificaciones son correctas en el momento de la impresión del presente manual. Rotel se reserva el derecho a realizar mejoras sin aviso previo.

Rotel y el logotipo Rotel HiFi son marcas registradas de The Rotel Co. Ltd., Tokio, Japón.

WAARSCHUWING: Om het risico op elektrische schokken of brand te vermijden: zorg dat het apparaat niet nat wordt. Verwijder de kast niet: er bevinden zich in het apparaat geen bedieningsorganen. Indien nodig waarschuw een bevoegd technicus!

EEN LAATSTE WAARSCHUWING:

Om het risico op elektrische schokken te voorkomen: laat het apparaat gesloten. Iedere reparatie dient door een gekwalificeerde technicus verricht te worden.

Lees de gehele gebruiksaanwijzing. Voordat u met het apparaat gaat werken is het van groot belang dat u weet hoe u ermee om moet gaan en dat zo veilig mogelijk. Bewaar deze gebruiksaanwijzing op een plek, die u zich na verloop van tijd nog weet te herinneren.

De waarschuwingen op het apparaat en in de gebruiksaanwijzing zijn belangrijk, sla ze niet in de wind.

Als het apparaat vuil wordt, stof het dan af met een zachte droge doek, of maak gebruik van een stofzuiger. Gebruik nooit een oplosmiddel van welke soort dan ook.

Het apparaat moet dusdanig gebruikt worden, dat een behoorlijke koeling niet in het gedrang komt. Voorbeeldjes: Gebruik het apparaat niet op bed, sofa, plaid of andere onregelmatige oppervlakken, waardoor de ventilatiegaten geblokkeerd zouden kunnen worden. Ook het inbouwen in een te kleine ruimte kan een voldoende koeling in de weg staan.

Het apparaat moet verre gehouden worden van warmtebronnen zoals: radiatoren en kachels, maar ook versterkers.

Het apparaat mag alleen aangesloten worden op het voltage zoals aangegeven op de achterkant, in dit geval 220 - 240 Volts 50 Hz.

Het apparaat dient alleen aangesloten te worden met de bijgeleverde netkabel, of een soortgelijke.

Maatregelen dienen genomen te worden, die de aarding en polarisatie van het apparaat niet te niet doen. Gebruik vooral geen verlengsnoeren.

De lichtnetkabel dient zo neergelegd te worden, dat er niet op getrapt kan worden of afgeklemd kan worden door scherpe voorwerpen. Vooral de aansluitpunten zijn belangrijk: de aansluiting in de wandcontactdoos en daar waar de kabel het apparaat binnegaat of op het apparaat wordt aangesloten.

Wanneer het apparaat voor langere tijd niet in gebruik is, dient de lichtnetkabel uit het lichtnet verwijderd te zijn.

Het apparaat zal in service gegeven moeten worden wanneer één van de volgende situaties zich voordoet:

- Wanneer het netsnoer en/of steker beschadigd zijn.
- Wanneer er toch voorwerpen/vloeistof in het apparaat terecht zijn gekomen.
- Als het apparaat in de regen heeft gestaan.
- Als het apparaat niet normaal functioneert of een duidelijk afwijkend gedrag vertoont.
- Wanneer het apparaat gevallen is en/of de kast beschadigd is.

Plaats het apparaat op een vaste, vlakke en stevige ondergrond. Plaats hem niet op een verrijdbare wagen die gemakkelijk om kan vallen.

Inhoud

de in vierkanten geplaatste cijfers verwijzen naar de figuren van de tuner en de in vierkanten geplaatste letters naar die van de afstandsbediening

1: De bedieningsorganen en aansluitingen	3
2: De RR-T92 Afstandsbediening	3
3: Het aansluitingsschema	4
Wij van Rotel	40
Aan de slag met de RT-02	40
De belangrijkste eigenschappen	40
Het uitpakken	40
Een plek voor de RT-02	40
Alles over de achterkant	40
De cinch uitgangen 14	40
De meegeleverde middengolfantenne 13	40
De FM-antenne aansluiting 12	41
De lichtnet aansluiting 17	41
De 12 V TRIGGER aansluiting 15	41
De externe afstandsbedieningsaansluiting 16	41
De belangrijkste bedieningsorganen	41
De aan/uitschakelaar 1 2	41
Het afstandsbedieningsoog 3	41
Het infoscherm 4	41
De "DIMMER" toets H	41
De geheugentoets "MEMORY" 7 B	41
Het instellen van de landencode	41
De belangrijkste afstemtoetsen	42
De bandkeuzetoets "BAND" 11 F	42
De afstemorganen 6 O	42
Het numerieke toetsenbord:	
De voorkeuzendertoetsen 5 A	42
De frequentiekeuzetoets:	
Directe frequentie inbreng C	43
De automatische afstem-toets 8 J	43
De afstem/voorkeur keuze-toets 9 K	43
De voorkeur aftasttoets 10 D	43
De monotoets I	43
RDS ontvangst	43
De infoschermtoets L	44
De PTY toets E	44
De TP toets N	44
De TA toets M	44
De AF toets G	44
Technische gegevens	45

Wij van Rotel

Het is alweer meer dan 40 jaar geleden dat een familie met een gepassioneerde betrokkenheid bij muziek besloot om zelf geluidsapparatuur van onberispelijke kwaliteit te gaan vervaardigen onder de naam Rotel. Door de loop der jaren heen is die passie gebleven en het familiedoel om audiofielen en muziekliefhebbers voor aantrekkelijke prijzen topkwaliteit te bieden wordt door iedere Rotel-medewerker gesteund.

De technici werken als een hecht team al tweakend en luisterend totdat ieder nieuw produkt dat muzikale niveau heeft bereikt dat hun bij de aanvang voor ogen stond. Zij worden volkomen vrijgelaten in hun keuze van componenten, waar ze ook van de wereld vandaan moeten komen. In Rotel apparatuur kunt u condensatoren vinden uit Duitsland en Engeland of half geleiders uit Amerika en Japan, terwijl de ringkerntransformatoren in eigen huis worden vervaardigd.

Onze goede reputatie werd gevestigd door onder anderen waarderende testrapporten en vele onderscheidingen die wij hebben mogen ontvangen van mensen die uit professie dag in dag uit naar muziek luisteren. Hun kritiek houdt ons bij de les: het vervaardigen van muzikale, betrouwbare en betaalbare apparatuur.

Door de aanschaf van dit produkt danken wij u voor het vertrouwen in ons gesteld en wensen wij u er veel en langdurig plezier mee.

Aan de slag met de RT-02

Wij danken u voor de aanschaf van onze RT-02 middengolf/FM tuner. Voor het bereiken van onze bekende geluidskwaliteit ontwikkelde Rotel zijn "Balanced Design Concept": een combinatie van geavanceerde circuit opbouw, een continue zoektocht naar de beste onderdelen en vooral veel luisteren. Wij zijn er dan ook van overtuigd dat de RT-02 u vele jaren veel luisterplezier zal brengen.

De belangrijkste eigenschappen

- Middengolf en FM ontvangstmogelijkheden
- Eenvoudig te begrijpen infoscherm
- Voorkeuzenders
- Afstemmen met de hand en via voorkeuzenders, het aftasten van de voorkeuzenders en afstemmen direct op de frequentie
- RDS (Radio Data System) ontvangstmogelijkheden
- Mono/stereo schakelaar
- 12V triggerschakeling om aan/uitgeschakeld te kunnen worden via een Rotel voorversterker of processor
- Draadloze afstandsbediening voor alle functies

Het uitpakken

Haal het apparaat voorzichtig uit de verpakking. Vergeet de afstandsbediening en andere accessoires niet. Bewaar als het even kan de verpakking. Altijd handig bij een eventuele verhuizing of wanneer het apparaat opgestuurd moet worden voor reparatie, want er is geen betere bescherming tijdens transport dan zijn eigen doos.

Een plek voor de RT-02

De plaats voor RT-02 moet vlak zijn, vrij van vocht, trillingen en hoge temperaturen. Stel hem niet bloot aan directe zonnestrallen, sluit 'm niet op in een niet geventileerde ruimte en zet er ook niets bovenop.

De RT-02 wordt wat warm, wij raden u dan ook aan hem in een speciaal audiomeubel te gebruiken. Daarin kan hij op zijn eigen plank staan. Zet hem nooit op een eindversterker of ander component. Zodoende voorkomt u oververhitting, brom en interactie met andere componenten van de hi-fi keten. Hou de bekabeling aan de ruime kant, het vereenvoudigt het installeren en eventuele veranderingen later.

Alles over de achterkant

Achterop de RT-02 vindt u de uitgangen voor een versterker, aansluitingen voor een FM antenne en een middengolfantenne, een 12v. TRIGGER aansluiting, een aansluiting voor een extra afstandsbedieningsoog en de aansluiting voor de lichtnetkabel.

EXTRA INFORMATIE: Wij raden u aan een apparaat pas op het lichtnet aan te sluiten nadat u zich ervan vergewist heeft dat alle noodzakelijke verbindingen gemaakt en correct zijn.

De cinch uitgangen 14

Op de achterkant van de RT-02 vindt u o.a. de audio uitgangen ("OUTPUTS"). Deze cinch pluggen moeten verbonden worden met de ingangen van uw (voor)-versterker. Let u er vooral op dat u links ("LEFT") en rechts ("RIGHT") juist aansluit.

De meegeleverde middengolfantenne 13

Bij de RT-02 hebben we een z.g. ringantenne verpakt voor de ontvangst van de lokale middengolfzenders. Haal de antenne uit de doos en leg hem in de buurt van de RT-02.

Verbindt de dubbele draad van de antenne onder de schroefjes van de "AM LOOP" aansluiting. Onder ieder schroefje een draadje. Het geeft niet hoe u ze aansluit als u het maar goed doet en er geen sluiting is.

Door het verdraaien van de antenne kunt u de ontvangst beïnvloeden. Experimenteer naar hartelust!

EXTRA INFORMATIE: Als u een buitenantenne gebruikt voor de middengolfontvangst, monteer dan de dubbele draad aan dezelfde antenne-ingangen als de ringantenne. Laat een dergelijke antenne wel door een vakman plaatsen.

De FM-antenne aansluiting 12

Wilt u het toch proberen: rol de antenne uit en steek de coaxplug in de antenne ingang "FM". Manipuleer een beetje met de antenne en wanneer u de beste richting heeft gevonden kunt u hem aan een muur o.i.d. vastzetten.

EXTRA INFORMATIE: De buitenantenne en de kabel – Wanneer u zich niet in de bevoorrechte positie bevindt dat u aan de bovenstaande noodantenne genoeg heeft, dan moet u een echte antenne op het dak (laten) plaatsen. Ook om deze antenne aan te sluiten steekt u de 75W plug in de antenne ingang achterop de RT-02. Wilt u echter een maximum aan stations dan staat de meeste van u signaal uit de muur ter beschikking: de kabel. Ook deze sluit u op dezelfde manier aan.

De lichtnet aansluiting 17

De RT-02 is vanuit de fabriek ingesteld om op 220-230 Volt wisselspanning te functioneren. Probeer hem niet zonder meer op een ander voltage te laten werken en behandel het lichtnetsnoer met zorg. Bent u niet zeker van het voltage: deze staat op het typeplaatje op de achterkant van de tuner.

Steek het meegeleverde netsnoer in de "AC INPUT" op de achterkant van de RT-02. Als u alle andere verbindingen ook gemaakt heeft kunt u de lichtnetstekker in het stopcontact steken of in de geschakelde spanningsuitgang van uw (voor)versterker.

De 12 V TRIGGER aansluiting 15

De RT-02 kan ook aan/uitgezet worden middels een "triggersignaal" van een Rotel voorversterker.

Het signaal kan van elke soort zijn (wissel- of gelijkspanning) tussen de 3 en 30 volts. Wanneer aan de triggeringang een kabel wordt aangesloten waar een dergelijk signaal opstaat, dan wordt de tuner geactiveerd. Wordt dit signaal echter onderbroken, dan gaat de tuner weer uit (standby). Het indicatortje blijft branden, maar het schermje en het apparaat doen het niet meer.

EXTRA INFORMATIE: Als u de 12V triggerfunctie wilt gebruiken, moet u ervoor zorgen dat de tuner altijd aanstaat middels de schakelaar "POWER".

De externe afstandsbedieningsaansluiting 16

Op deze 3,5 mm miniplug ingang kunt u een infraroodontvanger (Xantech o.i.d.) aansluiten, om het mogelijk te maken de RT-02 toch op afstand te kunnen bedienen ondanks dat hij niet binnen bereik is van uw afstandsbediening. Informeer bij uw Rotel adviseur over de mogelijkheden en de manier waarop u zo'n ontvanger moet aansluiten.

De belangrijkste bedieningsorganen

We raden u aan alvorens met het aansluiten te gaan beginnen de voor- en achterkant van de RT-02 even rustig te bestuderen. De nummers en letters bij de onderwerpen refereren aan de tekeningen elders in de gebruiksaanwijzing en helpen u vertrouwd te maken met de aansluitingen, mogelijkheden en bedieningsorganen van de tuner. De nummers horen bij het apparaat en de letters bij de afstandsbediening. De meeste functies vindt u zowel op het apparaat als op de afstandsbediening. Er zijn echter een paar functies die zich slechts op een van beide bevinden.

EXTRA INFORMATIE: De bedieningsorganen die het afstemgedeelte betreffen worden in de volgende secties van deze gebruiksaanwijzing beschreven.

De aan/uitschakelaar 1 2

De aan/uitschakelaar vindt u links op de voorkant van de tuner onder de aanduiding "POWER" en heeft geen dubbelganger op de afstands-bediening.

Wanneer u de RT-02 aan wilt zetten drukt u deze schakelaar in. Het lampje boven deze schakelaar gaat nu aan ten teken dat de tuner aan staat.

EXTRA INFORMATIE: Wanneer u een geschakelde spanningsuitgang van een ander component of de triggerfunctie gebruikt om de RT-02 van energie te voorzien, laat dan de aan/uitschakelaar van de tuner ingedrukt.

Het afstandsbedienings oog 3

Dit oog ontvangt de infraroodsignalen van de afstandsbediening. Zorg ervoor dat dit oog zonder blokkades de afstandsbediening tijdens het bedienen kan zien.

Het infoscherm 4

Het scherm op de voorkant van de RT-02 toont u de informatie die u nodig heeft t.b.v. de bediening van het apparaat.

De "DIMMER" toets H

Deze functie vindt u alleen maar op de afstandsbediening. Met de "DIMMER" toets kunt u tijdelijk het helderheidsniveau van het infoscherm wat lager instellen. De standen zijn: "NORMAL", "DIM" of "OFF". Druk een paar maal op de toets om het verschil te zien. Wanneer het infoscherm uitstaat zal dat weer aangaan bij de eerste de beste toets die u gaat gebruiken.

EXTRA INFORMATIE: Wanneer u de tuner aanzet zal hij altijd op de heldere instelling terugkomen.

De geheugentoets "MEMORY" 7 B

Met deze toets kunt u diverse instellingen in het geheugen van de RT-02 plaatsen, zoals b.v. de voorkeurzers op de FM. Verderop in de gebruiksaanwijzing staat exact hoe te handelen in welke omstandigheid.

Het instellen van de landencode

De RT-02 kent twee ingebakken codes: één voor de Verenigde Staten en één voor Europa. Met deze configuraties kunt u de RT-02 aanpassen aan de radiosituatie ter plekke, zoals de frequentieintervallen op middengolf en FM en de verschillen in RDS ontvangst. Als het goed is hoeft u er niets aan te doen uw RT-02 is voor Europa ingesteld.

Het instellen voor de Verenigde Staten. Druk gedurende 5 seconden tegelijkertijd op de toetsen "POWER", "MEMORY" en de "9" van het numerieke toetsenbord. Op het scherm verschijnt nu het woordje LOADING. De RT-02 is nu "USA ready".

Het instellen voor Europa. Druk gedurende 5 seconden en tegelijkertijd op de toetsen "POWER", "MEMORY" en de "0" van het numerieke toetsenbord. Op het scherm verschijnt nu het woordje LOADING. De RT-02 kunt u nu op correcte wijze in Europa gebruiken.

De belangrijkste afstemtoetsen

De RT-02 is een middengolf/FM tuner met RDS data ontvangstmogelijkheden en de mogelijkheid om 30 zenders in het geheugen vast te leggen. Ook kunt u met de RT-02 op verschillende manieren afstemmen. Hieronder vindt u een overzicht van die mogelijkheden. (Meer details vindt u in de hoofdstukken over het betreffende onderwerp.)

- **Met de handmatig afstem-methode** kunt u ouderwets door het draaien van de afstemknop of de "TUNE" toetsen op de afstandsbediening de band op en af gaan. Zet eerst de "TUNE/PRESET" toets op TUNE en schakel de "AUTO TUNING" functie uit. U kunt nu handmatig afstemmen.
- **Door de frequentie in te toetsen**, kunt u direct op een gewenste zender afstemmen. Druk eerst op de "FREQUENCY DIRECT" toets op de afstandsbediening (30) en breng de afstemfrequentie in van de betreffende zender middels de numerieke toetsen.
- **Met de frequentie zoekfunctie** kunt u de band op en af gaan op zoek naar goed te ontvangen zenders. Zet eerst de "TUNE/PRESET" toets op TUNE en schakel de "AUTO TUNING" functie aan. U kunt nu automatisch afstemmen.
- **U kunt ook direct afstemmen op uw voorkeuzenders.** Zet eerst de "TUNE/PRESET" toets op TUNE. Toets nu de gewenste voorkeuzender in middels de numerieke toetsen.
- **Met de voorkeuzender zoek-functie** kunt u uw voorraad voorkeuzenders "afzappen". Druk op de "PRESET SCAN" toets om het zappen te starten.
- **RDS biedt** u een scala aan alternatieve afstem- en zoekmogelijkheden, die gebaseerd is op een datastroom die wordt meegezonden bij bepaalde zenders. Zie het RDS hoofdstuk voor gedetailleerde informatie.

EXTRA INFORMATIE: Drie toetsen op de afstandsbediening (ANT A/B, FM IF NARROW en ANT ATT) zijn niet te gebruiken bij de RT-02 tuner.

De bandkeuzetoets "BAND" **T** **F**

Met de bandkeuzetoets kiest u of u de tuner wilt afstemmen op de middengolf- of op de FM-band. Links op het infoscherm kunt u zien voor welke band u heeft gekozen, met daarbij de frequentie van de zender waarop u heeft afgestemd.

De afstemorganen **6** **0**

De toetsen "< TUNING >" op de voorkant en de "< TUN/PRESET >" toetsen op de afstandsbediening zijn de belangrijkste organen waarmee u kunt afstemmen.

U kunt met beide organen op verschillende manieren afstemmen afhankelijk van de wijze waarop de tuner staat ingesteld:

Tijdens frequentie-afstemming met de AUTO TUNING functie uit. Druk op één van de afstemtoetsen om handmatig frequentiestap voor frequentiestap door de afstemband heen te gaan ongeacht of er een zender is of niet.

Tijdens frequentie-afstemming met de AUTO TUNING functie aan. Druk op één van de afstemtoetsen om het automatisch afstemmen te starten. De tuner gaat nu de band op of af zoekend naar de eerst goed ontvangbare zender. Mocht dit niet een gewenste zender zijn druk dan nogmaals op dezelfde toets om de procedure te herhalen. Tijdens het automatisch afstemmen worden zwakke zenders overgeslagen. Mocht de tuner geen goed te ontvangen zender meer tegenkomen, dan gaat hij automatisch weer terug naar de laatst afgestemde zender.

(Zie ook de hoofdstukken afstem/voorkeur keuzetoets en voorkeur aftasttoets voor gedetailleerde informatie over dit onderwerp.)

Tijdens voorkeuzender afstemming: druk u op één van de afstemtoetsen om op de volgende resp. vorige voorkeuzender af te stemmen. (Zie ook het hoofdstuk afstem/voorkeur keuzetoets voor gedetailleerde informatie over dit onderwerp.)

Tijdens RDS PTY afstemming: drukt u op één van de afstemtoetsen om het gewenste programmasoort van de getoonde lijst te kunnen kiezen. (Zie ook de hoofdstukken RDS en RDS PTY toets voor gedetailleerde informatie over dit onderwerp.)

EXTRA INFORMATIE: Op het infoscherm bevinden zich een paar aanduidingen die u bij het afstemmen kunnen helpen. Heel groot wordt getoond de afstemfrequentie welke meegaat gedurende het afstemmen. Een signaalsterkte indicator toont de veldsterkte waarmee de zender binnenkomt. Het woordje "TUNED" verschijnt in het scherm wanneer correct op een zender is afgestemd en tevens verschijnt "ST" wanneer het een stereozender betreft alsmede informatie over de wijze van afstemming.

Het numerieke toetsenbord: De voorkeuzendertoetsen **5** **A**

Het geheugen van de RT-02 kan 30 voorkeurstations bevatten zowel op de middengolf als op de FM. U kunt deze oproepen d.m.v. de toetsen van het numerieke toetsenbord.

Om een zender in het geheugen te zetten, doet u de volgende handelingen:

1. Stem af op de gewenste zender. Hetzij op de middengolf of de FM-band.
2. Druk op de toets "MEMORY". De indicator MEMORY gaat knipperen.
3. Druk, terwijl MEMORY knippert, op het gewenste nummer waaronder u de betreffende zender wilt verstoppen. Voorbeeld: Om de gevonden zender onder drie te zetten drukt u tijdens het knipperen op 3 en als u hem onder 15 wilt laten schuilen gaan, drukt u eerst op 1 en vervolgens op 5.
4. Wanneer een bepaald voorkeurnummer al was bezet door een andere zender zal deze worden overschreven (pech: zender weg).

Om af te stemmen op een voorkeurstation hoeft u alleen maar de betreffende toets in te drukken van één van de numerieke toetsenborden. Bijvoorbeeld: Voor voorkeuzender drie drukt u op 3 en voor voorkeuzender vijftien drukt u eerst op 1 en daarna **binnen** vijf seconden op 5.

EXTRA INFORMATIE: Het numerieke toetsenbord kan ook gebruikt worden voor het direct intoetsen van een zenderfrequentie (zie hieronder).

De frequentiekeuzetoets: Directe frequentie inbreng **C**

Als u de frequentie van een bepaalde zender weet, kunt u die direct intoetsen met de "FREQUENCY DIRECT" toets.

1. Druk op de "FREQUENCY DIRECT" toets om de functie van het numerieke nummerbord te veranderen van voorkeur naar direct frequentiekeuzegebruik. De zenderfrequentie verandert nu in 4 liggende streepjes, die de vier cijfers van de frequentie-aanduiding voorstellen. Het eerste streepje knippert nu.
2. Breng het eerste cijfer van de frequentie in met een van de genummerde toetsen. Het cijfer verschijnt nu op het infoscherm en het tweede streepje begint te knippen. Breng nu de resterende cijfers van de afstemfrequentie in. Wanneer alle cijfers zijn ingebracht wordt automatisch de afgestemde zender ten gehore gebracht.

VOORBEELDEN:

FM 87.50 Druk: 8>7>5>0
 FM 101.90 Druk: 1>0>1>9>0
 AM 1610 Druk: 1>6>1
 AM 1611 Druk: 1>6>1>1

Als u niet binnen vijf seconden een frequentie inbrengt, stopt de DIRECTE FREQUENTIE inbrengwijze en gaat de tuner terug naar de laatst afgestemde zender.

De automatische afstem-toets **8 J**

Met de toets "AUTO TUNING" kunt u heen en weer schakelen tussen automatisch afstemmen op frequentie en handmatig afstemmen op frequentie. Wanneer u afstemt met de draaiknop op de tuner of met de afstemtoetsen van de afstandsbediening tijdens AUTO TUNING stemt de RT-02 automatisch af op de eerstvolgende goed te ontvangen zender. Is dit niet de gewenste zender, herhaal dan de procedure. Zwakke zenders worden met deze zoekmethode overgeslagen. Wordt er geen goed ontvangbare zender ontdekt dan gaat de tuner terug naar de laatst afgestemde zender.

Om over te schakelen van frequentie afstemming naar automatische afstemming gebruikt u de "AUTO TUNING" toets. Tijdens het automatisch afstemmen verschijnt "AUTO" in het infoscherm.

EXTRA INFORMATIE: Wanneer u middels de "TUNE/PRESET" toets de PRESET functie activeert wordt de AUTO/TUNING functie opgeheven. Zie volgende onderwerp.

De afstem/voorkeur keuze-toets **9 K**

Met de toets "TUNE/PRESET" kunt u heen en weer schakelen tussen frequentie-afstemming (met het activeren van de afstemtoetsen gaat u iedere keer een afstemfrequentie hoger of lager) en voorkeur-afstemming (met het activeren van de afstemtoetsen gaat u iedere keer een voorkeurzender hoger of lager).

Om over te schakelen van frequentie-afstemming naar voorkeur-afstemming gebruikt u de "TUNE/PRESET" toets. Tijdens het voorkeur afstemmen verschijnt "PRESET" in het infoscherm.

EXTRA INFORMATIE: Wanneer u middels de "TUNE/PRESET" toets de PRESET functie activeert wordt de AUTO/TUNING functie opgeheven.

De voorkeur aftasttoets **10 D**

Met de "PRESET SCAN" toets kunt u alle voorkeurzenders de revue laten passeren. Wanneer u deze toets indrukt laat de RT-02 alle voorkeurzenders gedurende vijf seconden op volgorde horen. Wilt u deze activiteit staken, druk dan nogmaals op deze toets.

EXTRA INFORMATIE: Wanneer u tijdens het weergeven van een voorkeurzender de PRESET SCAN functie activeert, gaat de RT-02 naar de eerstvolgende voorkeurzender op rij om vervolgens de hele rij af te werken en pas weer te stoppen op het station waar de rondgang begon. Is de tuner afgestemd op een zender niet uit de rij van voorkeurstations dan start de PRESET SCAN functie met voorkeurzender 1 om vervolgens de hele rij op volgorde af te werken.

De monotoets **1**

Met de "FM MONO" toets kunt u een programma dat in stereo wordt uitgezonden in mono ontvangen. In STEREO zal de RT-02 een in stereo uitgezonden programma in stereo weergeven mits de signaalsterkte voldoende is. De STEREO indicator in het infoscherm licht dan op. Staat de tuner in MONO dan is de weergave ook in mono ongeacht de uitzendwijze van de zender.

EXTRA INFORMATIE: Een programma in stereo uitgezonden is pas de moeite waard als de signaalsterkte voldoende is. Af en toe is dat niet het geval. Druk dan de "FM MONO" toets in. De stereoinformatie is nu wel verdwenen maar ruis en andere vervelende storing vanwege te geringe signaalsterkte ook.

RDS ontvangst

We hebben de Rotel RT-02 uitgerust met RDS (Radio Data System) ontvangstmogelijkheden. Met RDS krijgt u toegevoegde informatie die als een gecodeerde datastroom wordt meegezonden bij het gewone signaal van een zender. Deze datastroom wordt gedecodeerd door een decoder in de RT-02 en kan u voorzien van de volgende informatie:

- de naam van de zender waarop u heeft afgestemd (b.v. Radio 1 of SKY)
- het soort programma dat de betreffende zender uitzendt (b.v. ROCK of NEWS)
- verkeersinformatie
- roltekst voor aankondigingen of algemene informatie

Daarbij biedt RDS verschillende zoekroutines zoals:

- de mogelijkheid naar een zender te zoeken met een bepaald soort programmahoud (PTY).
- de mogelijkheid van het zoeken naar een zender die verkeersinformatie uitzendt (TP).
- de mogelijkheid om automatisch af te stemmen op verkeersinformatie (TA).

EXTRA INFORMATIE: De RDS functie is geheel afhankelijk van het feit of een zender wel RDS data uitzendt. Dus kunt u RDS informatie alleen maar daar ontvangen waar de zenders voorzien zijn van RDS apparatuur. Ontvangt u geen RDS informatie dan gedraagt de RT-02 zich als een normale tuner.

EXTRA INFORMATIE: RDS informatie wordt alleen maar uitgezonden via FM zenders. Bovenstaande ontvangst-procedure is dan ook slechts van toepassing in de FM-band.

De infoschermttoets **L**

Er zijn vijf verschillende infoschermmogelijkheden wanneer een zender RDS data uitzendt en de desbetreffende RDS indicator oplicht. Druk herhaaldelijk op de RDS infoschermttoets "DISPLAY" of om achtereenvolgens de onderstaande opties te kunnen aanschouwen:

1. De zendfrequentie waarop de afgestemde zender uitzendt.
2. De (roep)naam van de zender waarop afgestemd is. (b.v. radio 1). Zendt de betreffende zender geen RDS data uit dan knippert in het venster "PS".
3. Het type programma. Hier wordt gekozen uit een standaard lijst van programmatypes en die helaas in het Engels is opgesteld. (NEWS, CURRENT AFFAIRS, INFORMATION, SPORT, EDUCATION, DRAMA, CULTURE, SCIENCE, VARIED, POP MUSIC, ROCK MUSIC, EASY LISTENING MUSIC, LIGHT CLASSICAL, SERIOUS CLASSICAL, OTHER MUSIC, WEATHER, FINANCE, CHILDREN'S PROGRAMS, SOCIAL AFFAIRS, REGION, PHONE IN, TRAVEL, LEISURE, JAZZ MUSIC, COUNTRY MUSIC, NATIONAL MUSIC, OLDIES MUSIC, FOLK MUSIC and DOCUMENTARY). Zendt de betreffende zender geen RDS data uit dan knippert in het venster "PS".
4. Een tijdmelding zoals die wordt uitgezonden door de betreffende zender (dus lokale tijd). Zendt de betreffende zender geen RDS data uit dan knippert in het venster "CT".
5. Een toegevoegde tekst. Informatie of boodschappen waarvan de zendgemachtigde het belangrijk vindt dat u ze consumeert. Zendt de betreffende zender geen RDS data uit dan knippert in het venster "RT".

De PTY toets **E**

Met de PTY toets kunt u alle (RDS) zenders op programmatype afzoeken.

1. Druk op de PTY toets. Het huidige programmatype verschijnt in het infoscherm.
2. Verander indien gewenst van programmatype middels de afstemtoetsen. U kunt de veranderingen zien in het infoscherm.
3. Druk nu binnen vijf seconden een tweede maal op de PTY toets. De tuner gaat nu een andere zender zoeken met het gewenste programmatype. Als u te lang wacht met het voor de tweede keer indrukken van de PTY toets dan vervalt de PTY functie.
4. Indien er geen zender wordt gevonden met het gewenste programmatype dan wordt automatisch weer teruggekeerd naar de laatst afgestemde zender.
5. Wilt u de PTY functie beëindigen dan drukt op een willekeurige toets (behalve "DIMMER" en "FM-MONO").

De TP toets **N**

Met de TP toets kunt u alle (RDS) zenders met verkeersinformatie afzoeken.

1. Druk op de TP toets. De tuner gaat nu op zoek naar een zender met verkeersinformatie.
2. Indien er geen zender wordt gevonden met verkeersinformatie dan wordt automatisch weer teruggekeerd naar de laatst afgestemde zender.
3. Wilt u de TP functie beëindigen dan drukt op een willekeurige toets (behalve "DIMMER" en "FM-MONO").

De TA toets **M**

Met de TA toets kunt u alle (RDS) zenders met gesproken verkeersinformatie afzoeken.

1. Druk op de TA toets. De tuner gaat nu op zoek naar een zender met gesproken verkeersinformatie.
2. Indien er geen zender wordt gevonden met gesproken verkeersinformatie dan wordt automatisch weer teruggekeerd naar de laatst afgestemde zender.
3. Wilt u de TA functie beëindigen dan drukt op een willekeurige toets (behalve "DIMMER" en "FM-MONO").

De AF toets **G**

Er zijn landen waar een RDS zender deel uitmaakt van een zendernetwerk, zoals hier in Nederland, waar Radio 1, 2, 3 en 4 door verschillende zenders op verschillende frequenties door het gehele land worden uitgezonden. Deze zenders kunnen een RDS signaal meezenden met een lijst van frequenties waar hetzelfde programma elders wordt uitgezonden. Mocht dit het geval zijn met een zender waarop uw RT-02 is afgestemd, dan staat AF in het infoscherm te lezen.

De "AF" toets wordt gebruikt om te onderzoeken of de zender waarop u bent afgestemd wel de best te ontvangen zender is met hetzelfde programma. De AF toets werkt alleen maar wanneer de AF indicator in het infoscherm brandt.

1. Druk op de "AF" toets. De tuner gaat nu alle frequenties af die de lijst met AF informatie opgeeft en zal dan afstemmen op de best te ontvangen zender.
2. Is er geen betere zender dan zal de RT-02 zichzelf weer afstemmen op oorspronkelijke zender.
3. Wordt het signaal van de nieuwe zender zwakker dan zal de oude zender weer worden opgezocht.
4. Wilt u de AF functie beëindigen dan drukt u op een willekeurige toets (behalve "DIMMER" en "FM-MONO").

Technische gegevens

FM deel

Bruikbare gevoeligheid:	14,2 dBf
Gevoeligheid bij 50 dB signaal/ruisverh.:	20,2 dBf (mono) 45,3 dBf (stereo)
Signaal/ruisverhouding (bij 65 dBf):	73 dBf (mono) 70 dBf (stereo)
Harmonische vervorming (bij 65 dBf):	0,2% (mono) 0,3% (stereo)
Frequentiebereik:	10 Hz - 15 kHz. \pm 3 dB
Vangverhouding:	2 dB
Naastliggend kanaal selectiviteit:	47 dB (\pm 400 kHz)
Valse frequentie onderdrukking:	90 dB
Spiegelfrequentie onderdrukking:	80 dB
MF-signaal onderdrukking:	80 dB
AM-signaal onderdrukking:	55 dB
Kanaalscheiding (bij 100 Hz/1 kHz/10 kHz):	40 dB/45 dB/35 dB
Uitgangsniveau:	1 V
Antenne-impedantie:	75 Ω ongebalanceerd

Middengolf deel

Bruikbare gevoeligheid:	500 μ V/m
Selectiviteit:	25 dB
Harmonische vervorming:	0,5%
Spiegelfrequentie onderdrukking:	45 dB
Signaal/ruisverhouding:	40 dB
Uitgangsniveau:	500 mV
Antenne-impedantie:	Gesloten ring-antenne

Algemeen

Opgenomen vermogen:	10 Watts
Lichtnetspanning/frequentie:	230 Volts/50 Hz. (EU versie) 115 Volts/60 Hz. (USA versie)
Netto gewicht:	3.9 kg
Afmetingen (bxhxd):	435 x 72 x 3119 mm
Hoogte Voorpaneel (voor rackmontage)	60 mm

Gegevens en ontwerp zijn voorbehouden.
Rotel en het Rotel hi-fi logo zijn geregistreerde handelsmerken van "The Rotel Co. Ltd", Tokyo, Japan.

Viktiga Säkerhetsinstruktioner

WARNING!

För att undvika elektriska stötar, brand m.m.

1. Skruva ej ur skruvarna ur höljet eller kabinettet.
2. Utsätt ej apparaten för väta eller fukt.
3. Ta aldrig i strömkabeln eller kontakten med blöta eller fuktiga händer.

WARNING! Gör ej egen service på apparaten. Anlita alltid behörig servicetekniker för service.

WARNING! Utsätt aldrig apparaten för fukt, väta eller i övrigt kladdiga vätskor. Tillåt ej främmande föremål i apparaten. Om apparaten utsätts för fukt, väta eller att främmande föremål kommer in, dra omedelbart ut nätsladden ur vägguttaget. Ta apparaten till behörig servicetekniker för översyn och nödvändig reparation.

Läs alla instruktioner före du ansluter eller använder apparaten. Behåll denna bruksanvisning så att du alltid kan återkomma till dessa säkerhetsföreskrifter.

Beakta alla varningar och säkerhetsföreskrifter i bruksanvisningen och på själva apparaten. Följ alla användarinstruktioner.

Använd endast torrt tygstycke för rengöring av utsidan av apparaten.

Använd 10 cm fritt utrymme runt om apparaten. Placera ej apparaten på en säng, soffa, filt, matta eller liknande material som kan blockera ventilationshålen. Om apparaten placeras i en bokhylla eller skåp skall det finnas utrymme för god ventilation.

Placera ej apparaten nära ett element eller liknande enheter som utvecklar värme.

Apparaten måste vara ansluten till ett vägguttag endast med det voltal som finns beskrivet på apparatens baksida (230V-240V, 50Hz).

Anslut apparaten till vägguttaget endast med medskickad strömkabel eller exakt motsvarande. Modifiera ej medskickad strömkabel. Ändra ej jord eller polaritet. Använd ej förlängningskabel.

Placera ej strömkabeln så att den kan bli utsatt för överhettning, extrem värme eller i övrigt kan skadas. Lägg speciellt märke till var strömkabeln ansluts på baksidan av apparaten.

Strömkabeln skall vara urkopplad från vägguttaget om apparaten ej används under lång tid.

Avsluta omedelbart användandet av apparaten och låt behörig servicetekniker kontrollera den om:

- Strömkabelns kontakt eller kabel har skadats.
- Främmande föremål eller vätska kommit in i apparaten.
- Apparaten blivit utsatt för regn.
- Apparaten visar tecken på felaktig funktion.
- Apparaten har tappats eller i övrigt skadats.

Placera apparaten på en stabil yta som kan bära apparatens vikt. Placera ej apparaten på ett rörligt föremål som kan välta.

OBS! Denna apparat har testats och uppfyller de värden för Klass B för digital enhet Kap. 15 enligt FCC reglerna. Dessa värden är framtagna för att skydda mot interferens i installationer. Denna apparat genererar och kan stråla ut radiofrekvensenergi som kan skapa interferensproblem med andra radio eller TV-apparater om den inte installeras enligt instruktionerna. Det finns ingen garanti för att interferensproblem ej uppstår. Om denna produkt skapar interferensproblem på en annan radio eller TV-utrustning, vilket kan lätt klagas genom att starta och stänga av produkten, så försök korrigera referensproblemet med hjälp av en eller flera av följande åtgärder.

- Flytta runt mottagarantennen.
- Öka avståndet mellan apparaten och TV-tuner.
- Anslut apparaten till ett annat strömuttag.
- Kontakta din auktoriserade Rotel återförsäljare.

Innehåll

Grämmerat nummer hänvisar till illustrationen på RT-02.

Grämmerat bokstav hänvisar till illustrationen på RR-T92 fjärrkontroll.

Figur 1: Funktioner och anslutningar 3

Figur 2: RR-T92 Fjärrkontroll 3

Figur 3: Anslutningsbeskrivning 4

Om Rotel 47

Introduktion 47

Huvudfunktioner 47

Uppackning 47

Placering 47

Baksidans anslutningar 48

RCA utgångar **14** 48

AM ramantenn **13** 48

FM-antenn **12** 48

Strömingång **17** 48

12V TRIGGER **15** 48

EXT REMOTE IN **16** 48

Grundfunktioner 48

POWER-knapp **1** och POWER-lampa **2** 48

IR mottagare **3** 48

Displayfönstret **4** 49

DIMMER-knapp **H** 49

MEMORY-knapp **7 B** 49

Landsinställningar 49

Tuner (radio)-funktioner 49

BAND-knappen **11 F** 49

TUNING-knappar **6 O** 49

NUMMERISKA-knappar:

Stationsförval **5 A** 50

FREQUENCY DIRECT-knapp:

Sökning med direktåtkomst **C** 50

Auto Tuning-knapp **8 J**

(Automatisk stationssökning) 50

TUNE/PRESET-knapp **9 K** 50

PRESET SCAN-knapp **10 D** 51

FM MONO-knapp **I** 51

RDS och RBDS mottagning 51

DISPLAY-knapp **L** 51

PTY-knapp **E** 52

TP-knapp **N** 52

TA-knapp **M** 52

AF-knapp **G** 52

Specifikationer 53

Om Rotel

En familj med ett passionerat intresse för musik grundade Rotel för över 40 år sedan. Det utmynnade i egen tillverkning av HiFi-produkter med en kvalitet utan kompromisser. Genom alla år har denna passion för musik varit oförändrad och målet har alltid varit att producera prisvärda produkter för både audiofiler och musikälskare. Detta är också Rotels hela personal delaktiga i. Rotels ingenjörer arbetar i team och har ett nära samarbete, de lyssnar på och finslipar varje ny produkt tills den når upp till deras krav på musikaliska kvalitet. De är fria att välja komponenter från hela världen i syfte att göra produkten så bra som möjligt. Kondensatorer från Storbritannien och Tyskland, halv-ledare från Japan och USA, medans nättransformatorerna tillverkas i Rotels egna fabriker.

Rotels goda rykte för kvalitet har förtjänats genom hundratals tester och erkännanden från HiFi-industrins seriösaste recensenter som lyssnar på musik varje dag. Deras erkännande håller företaget Rotel troget sitt mål att ta fram produkter som är musikaliska, pålitliga och prisvärda.

Alla vi på Rotel är glada för att du valde Rotels produkt och hoppas att den kommer att ge dig många år av njutning och glädje

Introduktion

Tack för att du valde RT-02 AM/FM Stereo Radio. Rotels "Balanced Design Concept" kombinerar avancerad teknik, specifikt utvalda komponenter och omfattande lyssningstester för att få fram en produkt med bra ljud och lång livslängd. Rotel RT-02 kommer att ge många års glädje.

Huvudfunktioner

- AM- och FM-mottagning.
- Användarvänlig display.
- 30 minnesplatser för favoritstationer.
- Manuell stationssökning, automatisk stationsökning, snabbvalssökning och direktinmatning av stationsfrekvenser.
- RDS (Radio Data System)
- Stereo/mono omkoppling
- 12V Trigger anslutning (strömstartsfunktion av/på via extern kabel) för aktivering från annan Rotel produkt (försteg eller surroundprocessor).
- Fjärrkontroll för alla funktioner.

Uppackning

Packa upp apparaten ur förpackningen. Ta vara på fjärrkontrollen och de andra tillbehören. Stoppa i de medföljande batterierna i fjärrkontrollen. Spara kartong och förpackningsmateriel till RT-02 om du skall flytta eller behöver skicka in den för översyn.

Placering

Placera RT-02 på en stabil och plan hylla avskärmat från solljus, hetta, smuts och vibrationer.

RT-02 kan alstra värme vid normal användning. Om apparaten installeras i ett skåp skall det finnas god ventilation. Se till att det finns tillräckligt med plats bakom RT-02 för att underlätta anslutning. Placera apparaten nära din övriga audio/video utrustning och om det är möjligt på en egen hylla. Detta kommer att underlätta installation och om du behöver flytta på utrustningen i framtiden. Det minskar även eventuella signalstörningar mellan apparaterna och minskar även risken för överhettning med värmen från övriga apparater.

Placera ej tunga apparater på RT-02. Utsätt ej apparaten för smuts. Detta kan allvarligt skada kretskort och orsaka skador på apparaten.

Baksidans anslutningar

RT-02 har anslutningar på baksidan för ljudutgång, FM antenn, AM antenn, 12V Trigger, ingång för extern fjärrstyrning och nätingång.

OBS! Anslut inte någon apparat i ditt system till nätuttag förrän alla anslutningar är gjorda. Var säker på att alla anslutningar är korrekt gjorda.

RCA utgångar 14

RCA utgångarna skickar en fast stereosignal från RT-02 till ditt försteg, förstärkare eller annan huvudenhet. Använd en kabel enligt RCA-standarden. Anslut kabeln från den vänstra RCA-utgången på RT-02 till den vänstra TUNER-ingången på din förstärkare, och den högra utgången från RT-02 till den högra TUNER-ingången.

AM ramantenn 13

RT-02 levereras med en ramantenn för att ta emot radiosignaler på AM-bandet. Ta den ur kartongen och placera den nära RT-02.

Anslut den tvådelade 300 ohms kabeln från ramantennen till skruvparet, (AM och G), med en kabel på varje skruv. Det spelar ingen roll vilken skruv som används bara kablarna är hela och åtskilda.

Du kan behöva vrida och vända på antennen för att få fram bästa mottagning.

OBS! Vid användning av en utomhusantenn skall den tvådelade 300ohms kabeln anslutas till AM och G skruvarna istället för ramantennen och att antennen har installerats av en auktoriserad installatör.

FM-antenn 12

RT-02 levereras med en T-formad FM-antenn för att ta emot radiosignaler på FM-bandet. Ta den ur kartongen och anslut kabeln med den koaxiala F-kontakten till FM-anslutningen på RT-02s baksida. Häng upp kabeln i de två öglorna som finns i ändarna på T-kabeln mot en vägg för att få bästa mottagning. Prova gärna att flytta runt kablarna för att hitta bästa mottagning.

OBS! Vid användning av en utomhusantenn skall den 75ohms koaxialkabeln anslutas till FM-anslutningen istället för inomhusantennen och att antennen har installerats av en auktoriserad installatör.

Strömningång 17

Din RT-02 är fabriksinställd på rätt voltall för vad som gäller på den marknad som den är inköpt på (Europa 230V, 50Hz). Det finns en dekal på apparatens baksida som informerar om detta. Kontrollera att informationen är korrekt.

Anslut den medskickade nätkabeln på apparatens baksida. Först när alla kablar är anslutna på baksidan kan nätkabeln anslutas till ett vägguttag eller ett strömouttag på en annan komponent.

12V TRIGGER 15

RT-02 kan aktiveras med en sk. 12V TRIGGER-signal, (aktivering Av/På), från t.ex. ett Rotelförsteg.

TRIGGER-ingången accepterar en signal (växel- eller likström) mellan 3V och 30V. När en kabel är ansluten till ingången och en signal finns, aktiveras RT-02. När TRIGGER-signalen avbryts sätts RT-02 i standby-läge. Frontpanelens indikator (lampa) fortsätter att lysa, men displayen släcks och apparaten är ej aktiv.

OBS! Lämna POWER-knappen intryckt, (på), om du vill använda 12V TRIGGER-funktionen.

EXT REMOTE IN 16

Ingång för extern fjärrstyrning. Denna 3.5mm minikontakt tar emot fjärrsignaler från externt fjärröga, (t.ex. Xantech m.fl.), via en ansluten kabel. Detta gör det möjligt att fjärrstyra ett system som är placerat i ett skåp där den vanliga fjärrsignalen ej kan komma igenom. Fråga din Rotelåterförsäljare för mer information om vilka tillbehör och kablar som behövs.

Grundfunktioner

Följande beskrivningar kommer att underlätta för dig att förstå funktioner och egenskaper. När en funktion finns tillgänglig på både frontpanelen och fjärrkontrollen visas både en gråmarkerad siffra och en gråmarkerad bokstav som hänvisar till illustrationerna ovan. Man kan t.ex. byta från AM-bandet till FM-bandet på både frontpanelen och fjärrkontrollen. När endast en gråmarkerad siffra eller endast en gråmarkerad bokstav anges, gäller den hänvisningen endast på frontpanelen eller fjärrkontrollen, inte båda två.

OBS! Funktioner som används för AM/FM-mottagning beskrivs i senare avsnitt.

POWER-knapp 1 och POWER-lampa 2

POWER-knappen, (strömknappen), är placerad på RT-02s frontpanel och finns inte på fjärrkontrollen. Tryck in knappen för att aktivera apparaten. Lampan, (ovanför knappen); och displayen kommer att tändas. Vid tryckning på POWER-knappen igen stängs apparaten av.

OBS! Om du har anslutit RT-02 till en annan enhet med switchat strömouttag eller använder 12V TRIGGER-funktionen skall POWER-knappen vara i intryckt läge (på).

IR mottagare 3

Denna sensor tar emot fjärrkontrollens IR-signal. Se till att den ej blockeras.

Displayfönstret **4**

Den fluorescerande displayen i mitten på RT-02 visar status för funktionerna som används för AM/FM-mottagningen, (stationsfrekvens, band, snabbvalsminnet, RDS information m.m.).

DIMMER-knapp **H**

Endast på fjärrkontrollen. Med denna knapp väljer man bland tre olika ljusstyrkor på displayen: NORMAL, DIM eller OFF. När displayen är i OFF-läget, (av), och en knapp trycks in, sätts displayen i NORMAL-läget. Tryck på knappen för att växla mellan de olika lägena.

OBS! När radion stängs av och sedan aktiveras på går displayen tillbaka till NORMAL-läget.

MEMORY-knapp **7 B**

Denna knapp används för att bekräfta och spara olika inställningar när man ställer in och använder RT-02, inklusive snabbvalen. Funktionerna beskrivs mer detaljerat i senare avsnitt.

Landsinställningar

RT-02 har två olika landsinställningar, en för USA och en för Europa. Denna inställningsmöjlighet används för att anpassa apparaten de lokala skillnader som finns på olika marknader. Detta gäller FM och AM-intervaller, skillnader mellan Europas RDS och USAs RBDS. Din apparat är korrekt fabriksinställd för den marknad som den är inköpt på.

Ändring till USAs grundinställning

Tryck och håll inne POWER, MEMORY och 9-knappen i fem sekunder. Texten LOADING visas i displayen och apparaten startar upp i USA-konfigurationen.

Ändring till Europas grundinställning

Tryck och håll inne POWER, MEMORY och 0-knappen i fem sekunder. Texten LOADING visas i displayen och apparaten startar upp i Europa-konfigurationen.

Tuner (radio)-funktioner

RT-02 har en inbyggd digitalstyrd AM/FM-radio med RDS och 30 stationers förval. Radiodelen har många olika inställningsmöjligheter. Här är en översikt på inställningsmöjligheter (mer detaljerad beskrivning kommer längre fram i denna handbok).

- **Manuell frekvenssökning** söker upp eller ned till nästa stations frekvens (när den är i frekvensökningsläget). Tryck på TUNE/PRESET-knappen och sätt apparaten i TUNE-läget. Stäng av AUTO TUNING. Använd TUNING-knapparna för frekvensökning upp och ned.
- **Direkt frekvenssökning** ger dig möjlighet att komma direkt till en station genom att mata in rätt frekvensnummer. Tryck på FREQUENCY DIRECT-knappen på fjärrkontrollen och mata in siffrorna för frekvensen med hjälp av de numeriska knapparna.
- **Automatisk frekvenssökning** söker upp eller ned i frekvensområdet för att hitta nästa radiostation. Tryck på TUNE/PRESET-knappen och sätt apparaten i TUNE-läget. Aktivera AUTO TUNING. Använd TUNING-knapparna för att starta sökningen upp eller ner.
- **Stationssökning** i minnet låter dig komma till en station direkt som finns sparad i minnet genom att ange numret för minnesplatsen. Välj nummer med de numeriska knapparna.
- **Snabbvalssökning** "hoppa" fram eller tillbaka till nästa sparade station. Tryck på PRESET SCAN-knappen för att börja sökningen.
- **RDS-sökning** ger en massa olika specialfunktioner som bygger på datakoder som finns i sändningen. Se vidare i avsnittet om RDS för mer information.

OBS! De tre knapparna på fjärrkontrollen (ANT, A/B, FM IF NARROW och ANN ATT) används inte till RT-02

BAND-knappen **11 F**

Med BAND-knappen väljer man om radion skall ha AM- respektive FM-mottagning (olika frekvensband). Tryck på BAND-knappen för att växla mellan AM och FM-mottagning. En indikator i displayen visar vilket val (AM/FM) som är gjort samt den aktuella stationens frekvens.

TUNING-knappar **6 O**

Ett par knappar benämnda "TUNING" på frontpanelen och "TUN/PRESET" på fjärrkontrollen är de knappar som man söker sig fram i frekvensbandet. De har olika tuning-funktioner beroende på vilken inställning apparaten befinner sig i.

Tuningknapparna på frontpanelen och fjärrkontrollen har identiska funktioner.

FREKVENSSÖKNINGSLÄGET med "AUTO TUNING" av. Tryck på en TUNING-knapp för att hoppa till nästa frekvens, oavsett det finns en station där eller ej. (Se beskrivning på TUNE/PRE-SET-knappen och AUTO TUNING-knappen för att ändra sökningsmetod)

FREKVENSSÖKNINGSLÄGET med "AUTO TUNING" på. Tryck på en TUNING-knapp för att starta den automatiska sökningen. Radion börjar automatiskt söka efter mottagbara frekvenser tills den hittar någon. Om den hittade stationsfrekvensen inte är den önskade, tryck en gång till på TUNING-knappen för att söka till nästa station. Svaga stationer hoppas över med den automatiska sökningen. Om ingen station hittas kommer radion att återgå till den senast funna stationen. (Se beskrivning på TUNE/PRE-SET-knappen och AUTO TUNING-knappen för att ändra sökningsmetod).

I PRESET TUNING-läget (sökning bland memorerade stationer). Tryck på en TUNING-knapp för att "hoppa" fram till nästa lagrade station. (Se beskrivning på TUNE/PRE-SET-knappen för att ändra sökningsmetod).

Sökning i RDS PTY-läget. Tryck på en TUNING-knapp för att välja önskad programtyp enligt listan i displayen. Se även avsnittet om RDS för mer information. (Se beskrivning på RDS PTY-knappen för detaljerad beskrivning).

OBS! Flera indikatorer i displayen vägleder dig när du gör en frekvenssökning. En större del av displayen visar frekvenstalet som ökar eller minskar under stationssökningen. En indikator visar den inkommande signalens styrka. En text "TUNED" visas i displayen när en tillräckligt stark signal hittats. En indikator "ST" visas när en stereosignal på FM-bandet mottas. Även indikatorer visas i displayen på de olika valda sökningsmetoderna.

NUMMERISKA-knappar: Stationsförval **5 A**

RT-02 kan lagra upp till 30 stationer i stationsminnet. De ger en snabb åtkomst, (snabbval), till dina favoritstationer med hjälp av dessa numeriska knappar. Knapparna kan användas för både AM- och FM-stationer.

RT-02 levereras från fabrik med olika snabbval lagrade i minnet som kan innehålla stationsfrekvenser som matchar eller inte matchar stationer på din ort.

För att spara en station i minnet:

1. Sök fram till önskad station, AM eller FM.
2. Tryck på MEMORY-knappen på frontpanelen. Texten "MEMORY" blinkar i displayen.
3. Medans "MEMORY" blinkar i displayen, tryck in den/de siffror som stationen skall sparas på som snabbvalsnummer. T.ex. för att spara en station med snabbvalsnummer 3, tryck knappen för siffran 3. För att spara en station med snabbvalsnummer 15, tryck siffran 1 följt av siffran 5.
4. En tidigare sparad station kommer att raderas ur minnet när en ny station sparas på samma snabbvalsnummer.

För att anropa en sparad snabbvalsstation, tryck in numret med de numeriska knapparna. T.ex. för att anropa snabbvalsstation 3, tryck in knapp 3. För att anropa snabbvalsstation 30, tryck på 3 och tryck sedan 0 inom fem sekunder.

OBS! De numeriska knapparna kan också användas direktinmatning av frekvensen för önskad station.

FREQUENCY DIRECT-knapp: Sökning med direktåtkomst **C**

Endast på fjärrkontrollen

Om du känner till den exakta frekvensen för den station du vill lyssna på kan du ange siffrorna direkt med FREQUENCY DIRECT-knappen , (endast fjärrkontrollen), och med de NUMMERISKA knapparna.

1. Tryck på FREQUENCY DIRECT-knappen för att ändra funktionen för de numeriska knapparna från snabbvalsinsmatning till direktinmatning av frekvensvärdet. Stationsfrekvensen i displayen ändras till en serie av streck som representerar frekvensen för en station. Det första blinkar.
2. Ange den första siffran i stationsfrekvensen med de NUMMERISKA-knapparna. Siffran visas i displayen och nästa streck blinkar i displayen. Ange de återstående siffrorna i frekvensen. När alla siffror matats in kommer radion automatiskt att söka in vald station.

OBS! På USA-versionen gäller att tryck på 1 i FM-läget blir 10 i frekvensdisplayen. På Europa-versionen måste man trycka 1 och sedan 0 för att mata in 10. För USAs FM-stationer tryck in endast en siffra som följs av en decimalkomma som beskrivs i det första exemplet nedan. För europeiska FM-stationer, tryck in två siffror efter decimalkommat som beskrivs i det andra exemplet nedan.

EXEMPEL:

(FM i USA) 87.50MHz	Tryck 8>7>5
(FM i Europa) 87.50MHz	Tryck 8>7>5>0
(AM i USA) 1610kHz	Tryck 1>6>1
(AM i Europa) 1610kHz	Tryck 1>6>1>1

Om ingen frekvens matas in inom 5 sekunder återgår radion från FREQUENCY DIRECT-sökningen till senast inställda frekvens (station).

Auto Tuning-knapp **8 J** (Automatisk stationssökning)

AUTO TUNING-knappen växlar mellan frekvenssökning och manuell frekvenssökning. När man använder TUNING-funktionerna (sökfunktioner) på frontpanelen eller fjärrkontrollen i AUTO TUNING-läget kommer radion att automatiskt att söka upp eller ner i frekvensbandet efter nästa mottagbara station. Om den funna stationen inte är den önskade, tryck på TUNING-knapparna igen för att hitta nästa station. Svaga stationer ignoreras med AUTO TUNING. Om ingen station hittas kommer radion att återgå till senast funna station.

För att växla mellan FREQUENCY TUNING-läget och AUTO TUNING-läget, tryck på AUTO TUNING-knappen. En indikator med texten "AUTO" visas i displayen.

OBS! AUTO TUNING-funktionen är urkopplad när TUNE/PRESET-knappen är inställd på PRESET, (snabbvalssökning). Se följande avsnitt.

TUNE/PRESET-knapp **9 K**

TUNE/PRESET-knappen växlar mellan frekvenssökning och snabbvalssökning. Upprepa tryckning på TUNE/PRESET-knappen för att växla mellan de två olika lägena. En indikator med texten "PRESET" lyser i displayen när snabbvalssökningen är aktiverad.

OBS! AUTO TUNING-funktionen avaktiveras när TUNE/PRESET-knappen växlar till PRESET-läget.

PRESET SCAN-knapp **IO D**

Denna knapp aktiverar en scanningsfunktion över de lagrade snabbvalen. När du trycker på denna knappen aktiveras en automatisk sökfunktion som spelar fem sekunder på varje lagrade station innan den hoppar till nästa station. För att stoppa denna funktion, tryck på knappen igen.

OBS! Om en snabbvals-station är aktiv när PRESET SCAN-knappen trycks kommer sökfunktionen att starta med nästa snabbvalsstation och fortsätta genom alla snabbvalsstationer och stanna på den aktiva stationen. Om en snabbvals station inte är aktiv när PRESET SCAN-knappen trycks kommer sökningen att börja på snabbvalsstation 1 och fortsätta till snabbvalsstation 30.

FM MONO-knapp **I**

Endast fjärrkontrollen

FM MONO-knappen ändrar FM-läget från stereomottagning till mono. I stereoläget hörs en stereosändning om stationen sänder en sådan och signalen är tillräckligt stark.

En stereoindikator lyser i displayen. I mono-läget hörs en mono signal även om det finns en stereosignal i sändningen.

OBS! Att byta till mono-läget kan vara ett bra sätt att förbättra mottagningen av svaga signaler eller avlägsna FM-signaler. Det behövs mindre signalstyrka för ren mono-mottagning än för en stereosignal.

RDS och RBDS mottagning

Rotel RT-02 är utrustad med RDS (Radio Data System) i Europa och RBDS (Radio Broadcast Data Service) för USA. Dessa system har likvärdiga funktioner för FM-mottagning genom att sända en kodad signal tillsammans med radio-signalen. Denna signal avkodas med hjälp av en RDS eller RBDS mottagare och kan användas till att ge många olika typer av information i sändningen:

1. Information om stationens namn t.ex. P3 (i Sverige)
2. Information om stationens innehåll t.ex. rockmusik eller nyheter.
3. Trafikinformation
4. En rullande text för meddelande och information.

RDS har även flera avancerade sökfunktioner såsom:

1. Sökning efter en station med ett önskat programinnehåll (PTY).
2. Sökning efter trafikinformation (TP).
3. Sökning efter stationer med speciella trafikinformationsmeddelande (TA).

RDS sändningar har varit tillgängligt i många Europeiska länder i flera år. Det finns många stationer med RDS kodade sändningar och de flesta användare idag är vana vid de funktioner och möjligheter RDS ger. Kontakta gärna din Rotel återförsäljare om mer information om **RDS**.

OBS! RDS funktionerna är helt beroende av att radiostationerna sänder RDS kodade signaler. RDS fungerar endast i länder som RDS standarden finns och på stationer som använder RDS systemet. Om det inte finns RDS sändningar så fungerar RT-02 som en vanlig radiomottagare.

OBS! RDS är endast tillgängligt på FM sändningar. Egenskaper och knappar fungerar endast på FM bandet.

DISPLAY-knapp **L**

Endast fjärrkontrollen

Det finns fem displaylägen (visning) när en sändning innehåller RDS-information och RDS-indikatorn lyser i displayen. Tryck på DISPLAY-knappen på fjärrkontrollen för att stega igenom de fem visningsmöjligheterna:

1. Standard, frekvensvisning (FREQUENCY).
2. PROGRAM SERVICE, namn. Det är det namn som stationen har, t ex P1. Om den aktuella stationen ej sänder en RDS-signal blinkar en PS-indikator i displayen.
3. PROGRAM TYPE. Beskriver vad en station sänder enligt en standardiserad programtyp som finns i respektive land t.ex NYHETER, SPORT, POP, ROCK m.fl. Om den aktuella stationen ej sänder en RDS-signal blinkar en PT-indikator i displayen.
4. CLOCK TIME. Tid och datum som sänds från stationen visas i displayen. Om den aktuella stationen ej sänder en RDS-signal blinkar en CT-indikator i displayen.
5. RADIO TEXT. Rullande textmeddelande som sänds från aktuell radiostation. Om stationen sänder radio text data lyser en indikator, RT och den rullande texten i displayen. Om den aktuella stationen ej sänder en RDS-signal blinkar en RT-indikator i displayen.

PTY-knapp E**Endast fjärrkontrollen**

Sökfunktionen, PTY, ger dig möjlighet att söka efter tillgängliga stationer med RDS sändningar som sänder en speciell programtyp.

1. Tryck på PTY-knappen. Den aktuella programtypen i visas displayen som sänds i RDS-sändningen.
2. Om man önskar byta till en annan programtyp använd TUNING-knapparna för att söka i listan för de olika programtyperna.
3. Tryck på PTY-knappen en andra gång inom 5 sekunder. Radion försöker nu hitta en annan RDS-station som sänder den valda programtypen. Om knappen inte trycks ned inom 5 sekunder efter det att man valt en programtyp blir PTY-funktionen ej aktiv.
4. Om PTY-funktionen inte hittar en station med den valda programtypen återgår den till den senast lokaliserade stationen.
5. Avbryt PTY-funktionen genom att trycka på vilken annan knapp som helst (förutom DIMMER eller FM MONO).

TP-knapp N**Endast fjärrkontrollen**

Söker efter en RDS-station som sänder trafikinformation.

1. Tryck på TP-knappen. Radion försöker att hitta en station som sänder trafikinformation.
2. Om ingen station hittats återgår radion till den senast hittade stationen.
3. Avbryt TP-funktionen genom att trycka på vilken annan knapp som helst (förutom DIMMER eller FM MONO).

TA-knapp M**Endast fjärrkontrollen**

Söker efter en RDS-station som sänder trafikinformation.

1. Tryck på TA-knappen. Radion försöker hitta en RDS-station som sänder trafikinformation.
2. Om ingen station hittats återgår radion till den senast hittade stationen.
3. Avbryt TA-funktionen genom att trycka på vilken annan knapp som helst (förutom DIMMER eller FM MONO).

AF-knapp G**Endast fjärrkontrollen**

I vissa fall är en RDS-station en del av ett nätverk av stationer som sänder samma program, (t.ex BBC1 i Storbritannien finns tillgänglig på flera olika frekvenser). Stationer som sänder dessa program kan sända signaler som förser radiomottagaren med RDS-data i form av en lista som innehåller alternativa frekvenser för det aktuella programet. Om denna datalista finns i signalen tänds en indikator, AF, i displayen.

AF-knappen används för att söka i de alternativa frekvenserna efter den starkaste signalen för samma program. Knappens funktion fungerar endast om AF-indikatorn lyser.

1. Tryck på AF-knappen. Radion startar sökningen efter alternativa frekvenser för samma program i listan av alternativ. Radion kommer att välja den starkaste signalen i listan.
2. Om ingen station hittats återgår radion till den senast hittade stationen.
3. Om signalen är svagare på den nya stationen kommer radion att återgå till den senast hittade stationen.
4. Avbryt FA-funktionen genom att trycka på vilken annan knapp som helst (förutom DIMMER eller FM MONO).

Specifikationer

FM Radio

Känslighet	14.2 dBf
Känslighet 50dB	20.2 dBf (mono) 45.3 dBf (stereo)
Signal/Brus förhållande (vid 65 dBf)	73 dBf (mono) 70 dBf (stereo)
Harmonisk Distortion (vid 65 dBf)	0.2% (mono) 0.3% (stereo)
Frekvensomfång	10Hz-15kHz, ± 3dB
Mottagningsförhållande	2dB
Kanalselektivitet	47dB (± 400kHz)
Spurious Response Ratio	90dB
Image Rejection Ratio	80dB
IF Rejection Ratio	80dB
AM Suppression Ratio	55dB
Stereo-separation (100Hz/1 kHz/10kHz)	40dB/45 dB/35dB
Utgångsnivå	1V
Antenningång	75 ohm obalanserad

AM Tuner

Känslighet	500 µV/m
Selectivity	25 dB
Harmonisk Distortion	0.5%
Image Rejection Ratio	45 dB
Signal/Brus förhållande	40 dBf
Utgångsnivå	500 mV
Antenningång	Ramantenn

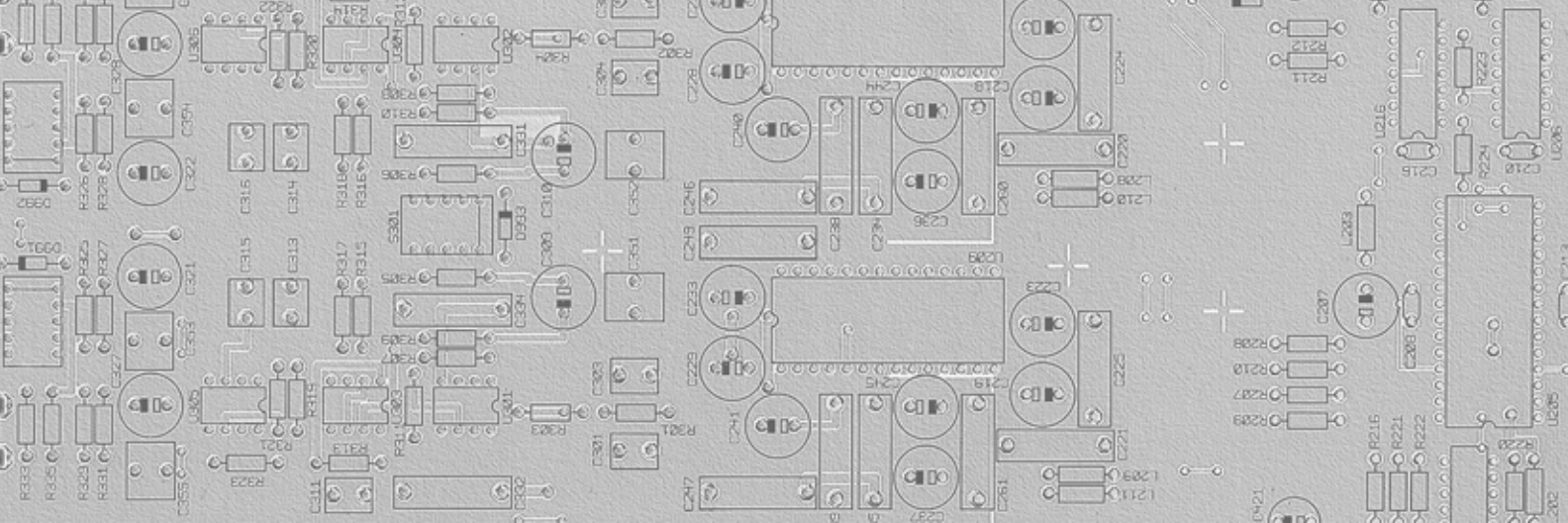
Övrigt

Strömförbrukning	10 watt
Strömförsörjning	230 volt, 50 Hz (CE versionen)
Vikt	3.9 kg
Dimensioner (B x H x D)	435 x 72 x 319 mm
Frontpanelens höjd	60 mm

Alla specifikationer är korrekta vid tid punkten de trycks.

Rotel reserverar sig för framtida förändringar utan vidare meddelande.

Rotel och Rotel HiFi logotype är registrerade varumärken av The Rotel Co, Ltd., Tokyo, Japan.



ROTEL

The Rotel Co. Ltd.
10-10 Shinsen-Cho
Shibuya-Ku
Tokyo 150-0045
Japan

Phone: +81 3-5458-5325
Fax: +81 3-5458-5310

Rotel of America
54 Concord Street
North Reading, MA 01864-2699
USA

Phone: +1 978-664-3820
Fax: +1 978-664-4109

Rotel Europe
Dale Road
Worthing, West Sussex BN11 2BH
England

Phone: +44 (0)1903 221 600
Fax: +44 (0)1903 221 525

Rotel Deutschland
Kleine Heide 12
D-33790 Halle/Westf.
Germany
Phone: +49 05201-87170
Fax: +49 05201-73370

www.rotel.com

082 OMRT-02 020302

English • Français • Deutsch • Italiano • Español • Nederlands • Svenska